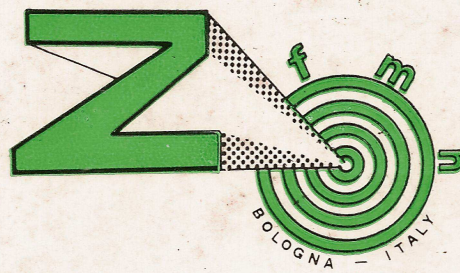
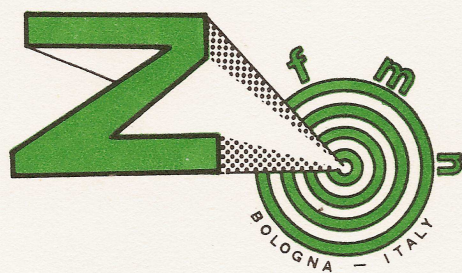


Catalogo Ricambi
Darts Catalogue
Ersatzteile - Katalog



Catalogo Ricambi
Darts Catalogue
Ersatzteile - Katalog

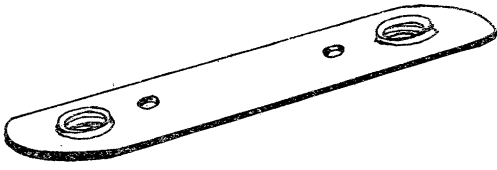


F.LLI ZACCARIA S.n.c.

Via Armaroli, 15 - 40012 CALDERARA DI RENO (Bologna) Italy - Telefono 051/722381/82 - Telex 51524 INTERCON

<http://www.zaccaria-pinball.com>

A 6106



A 5162

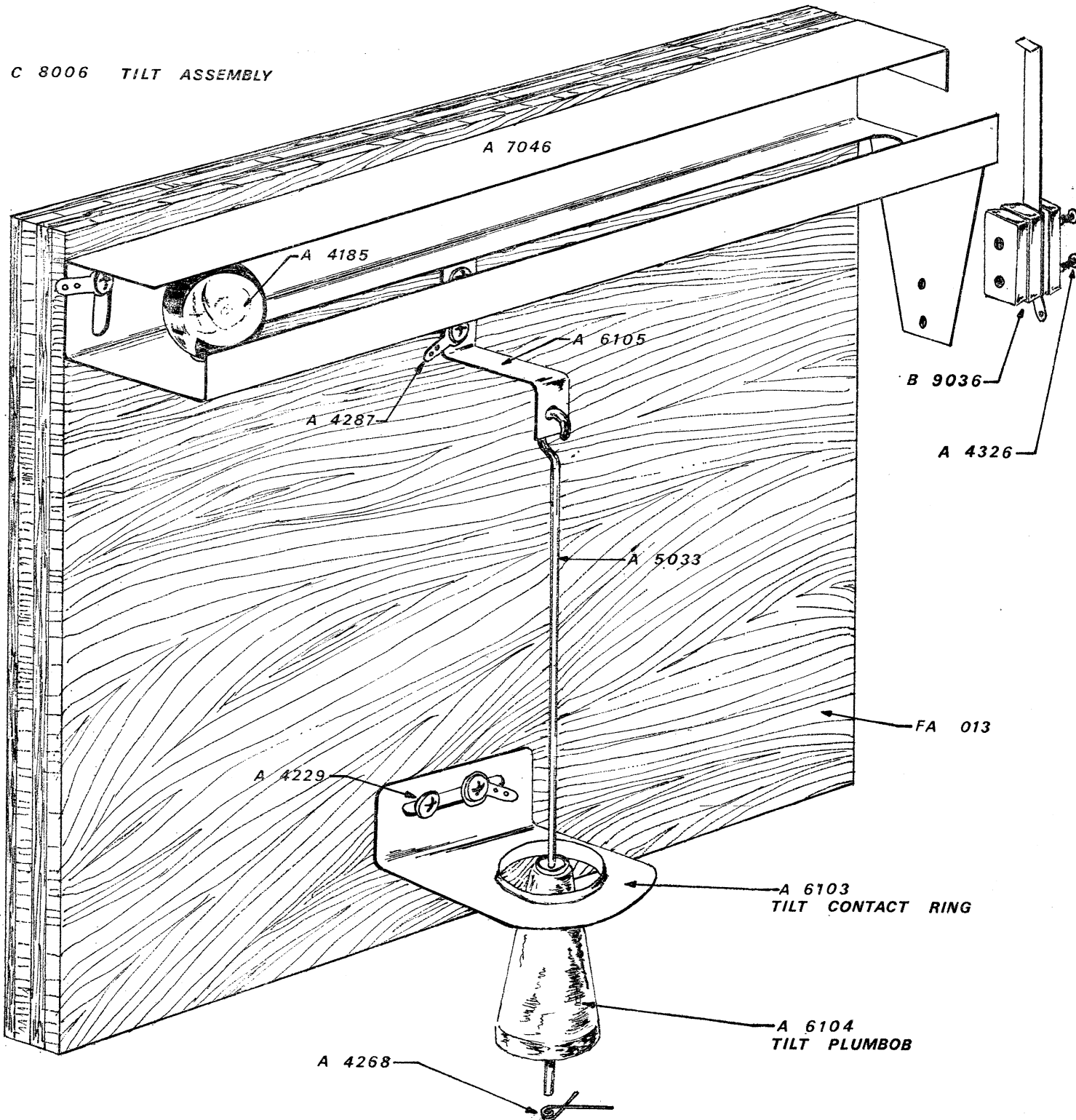


A 5163

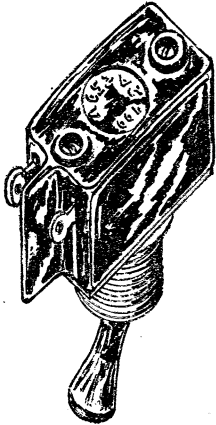


CABINET PARTS

C 8006 TILT ASSEMBLY



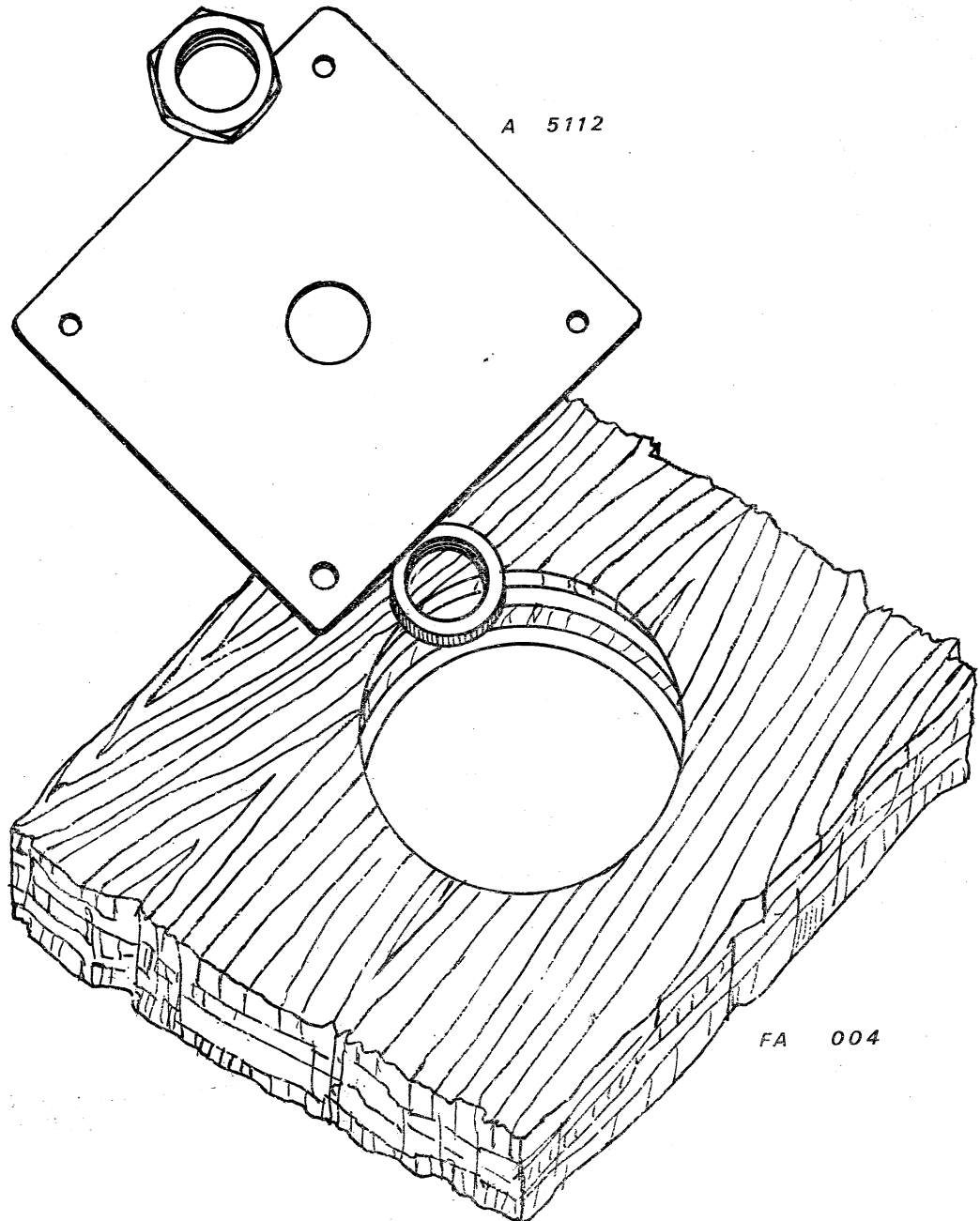
B 6039 SWITCH



B 5021

ON/OFF

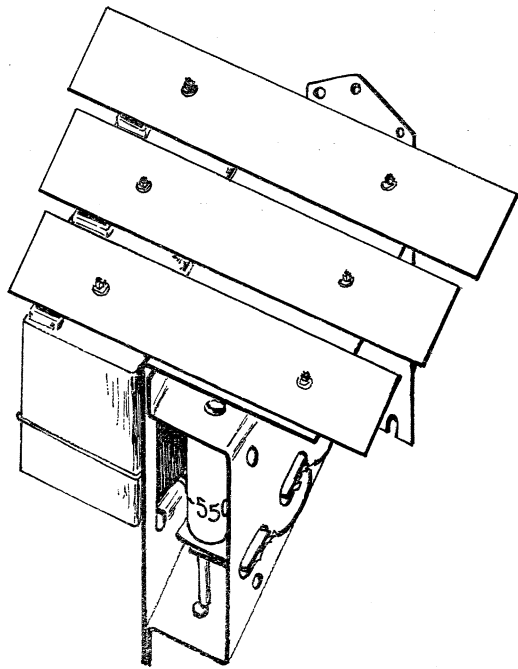
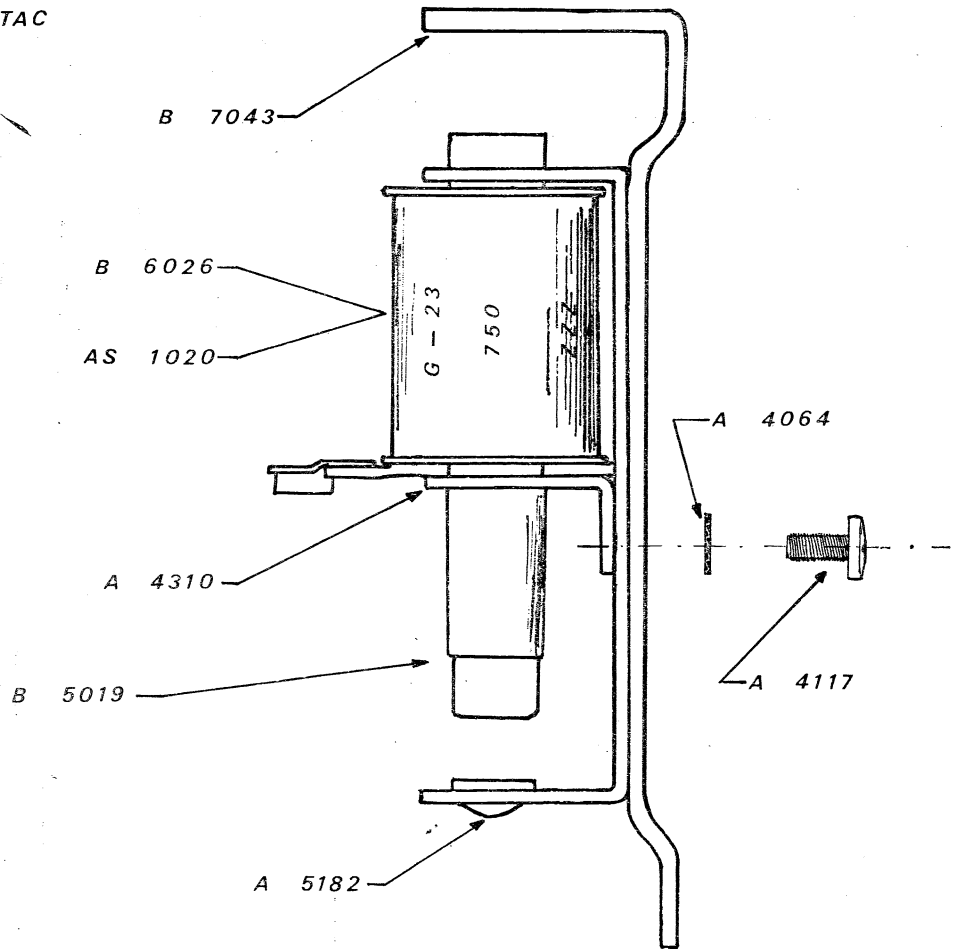
SWITCH MOUNTING PLATE



A 5112

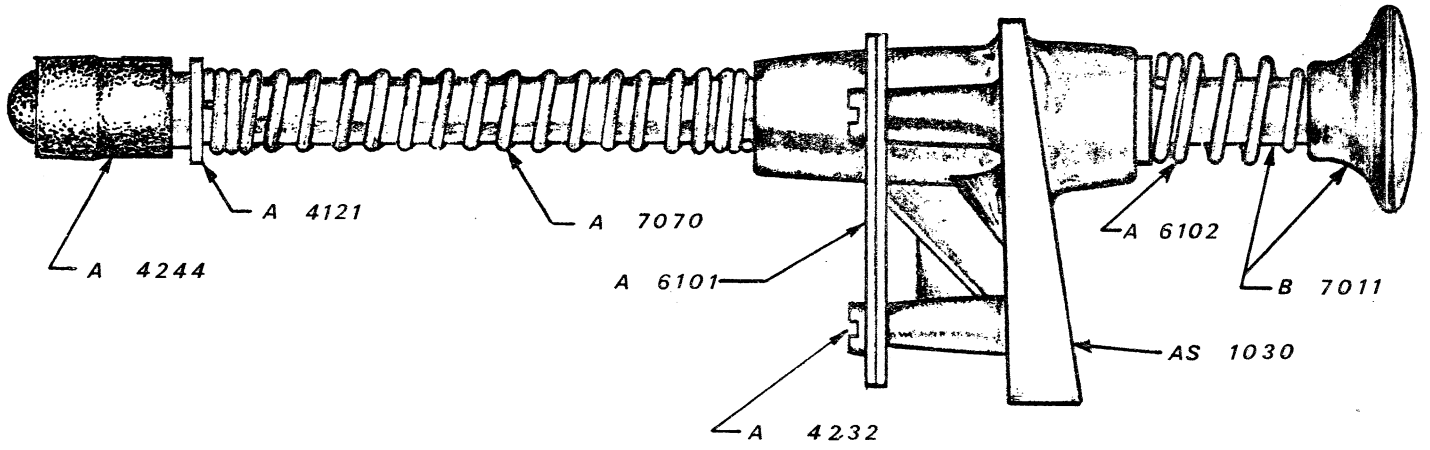
FA 004

C 8053 TIC TAC



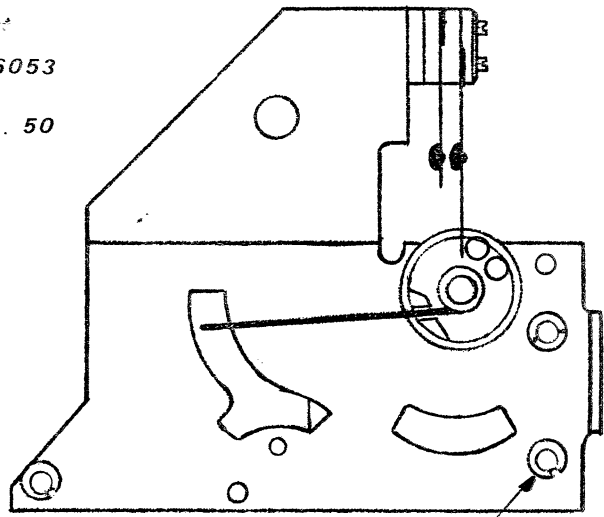
C 8054 CARILLON

B 7011 BALL SHOOTER

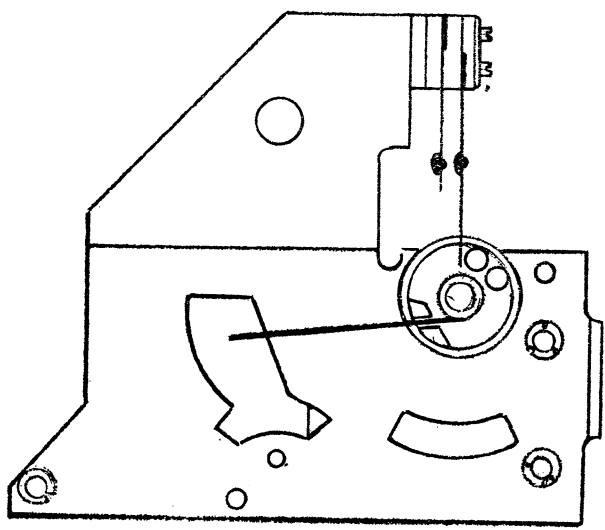


B 6053

COIN SWITCH LARGE COIN £. 50



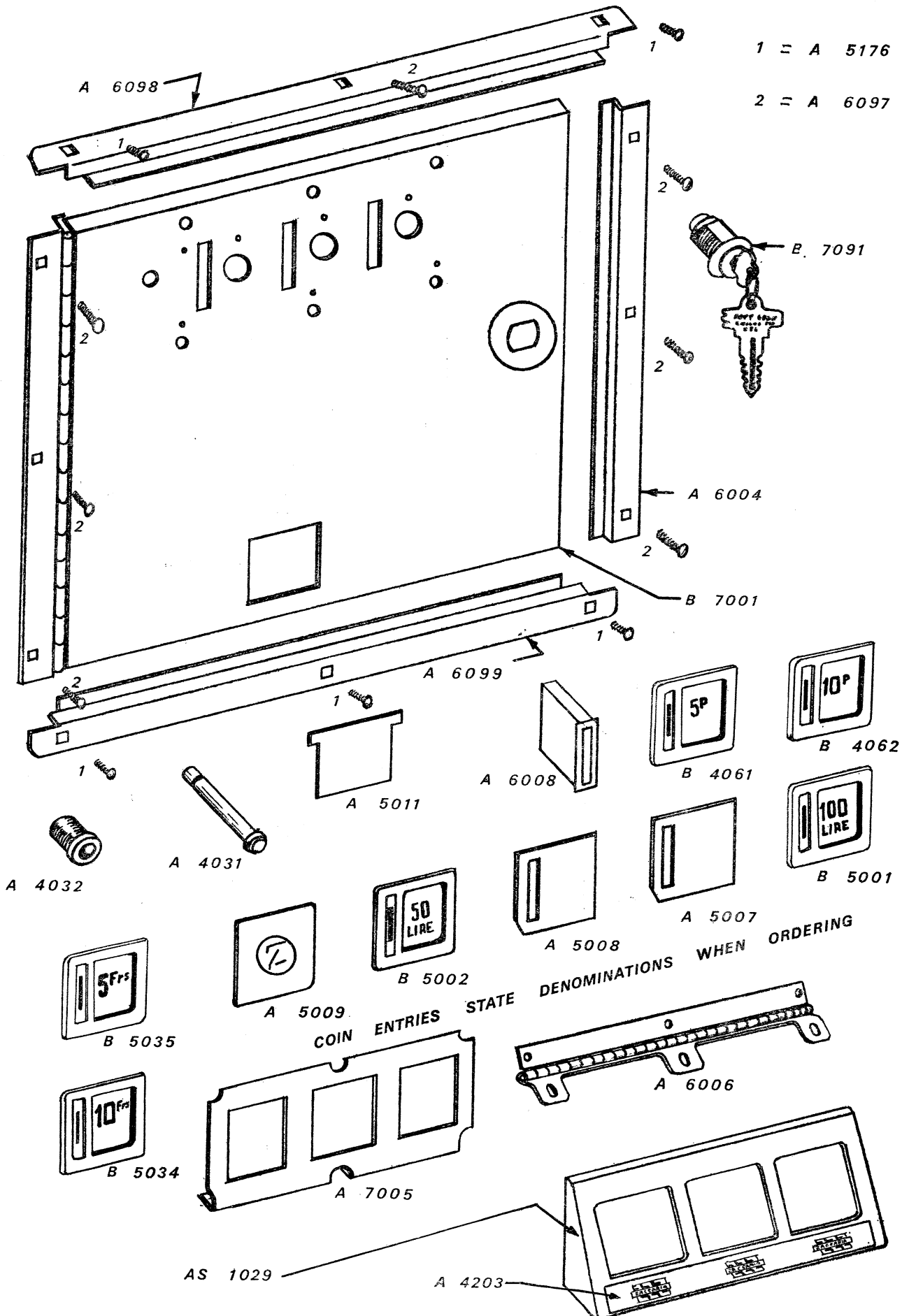
A 4288



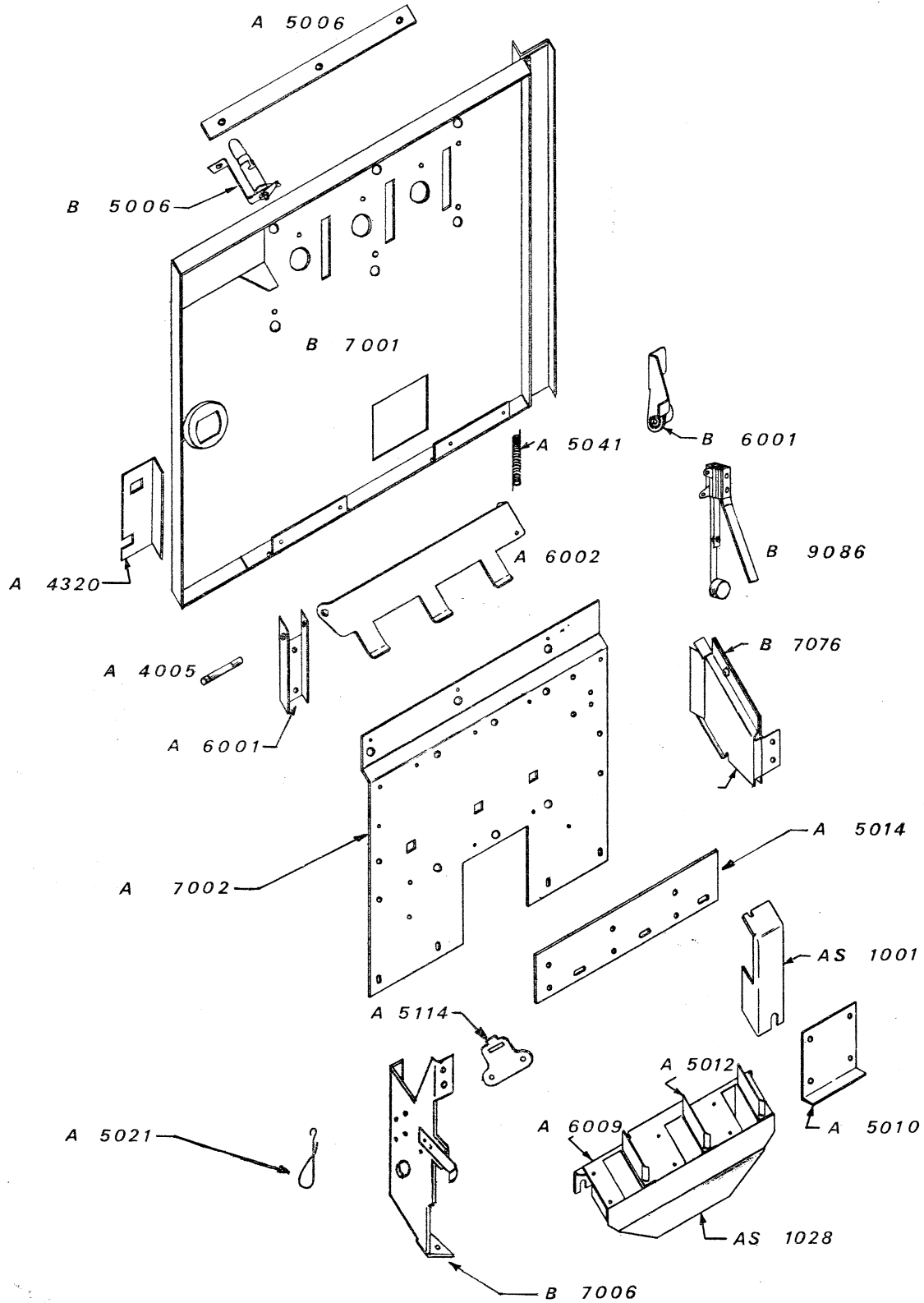
B 6052

COIN SWITCH SMALL COIN £. 100

C 8001 FRONT DOOR PARTS

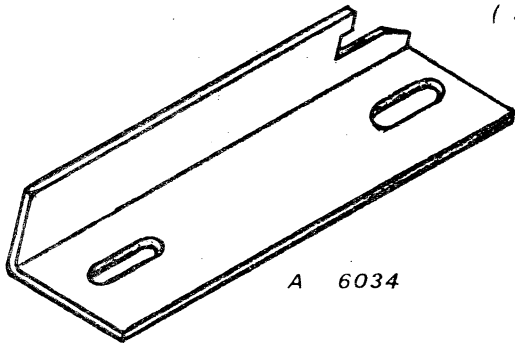


C 8001 FRONT DOOR PARTS
STATE NUMBER WHEN ORDERING

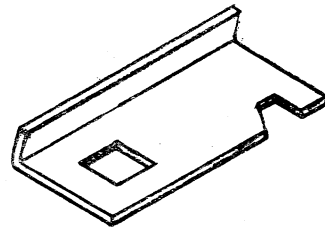


CABINET PARTS

(STATE NUMBER WHEN ORDERING)

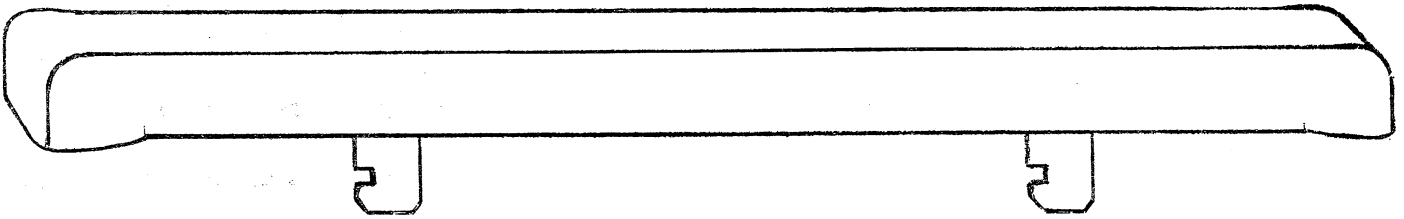


A 6034

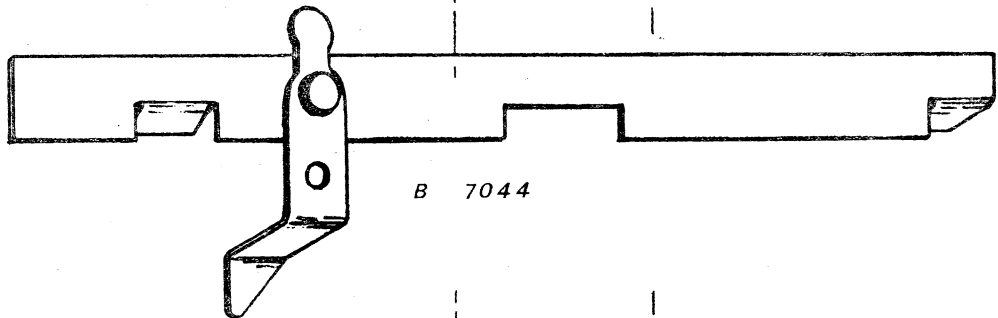
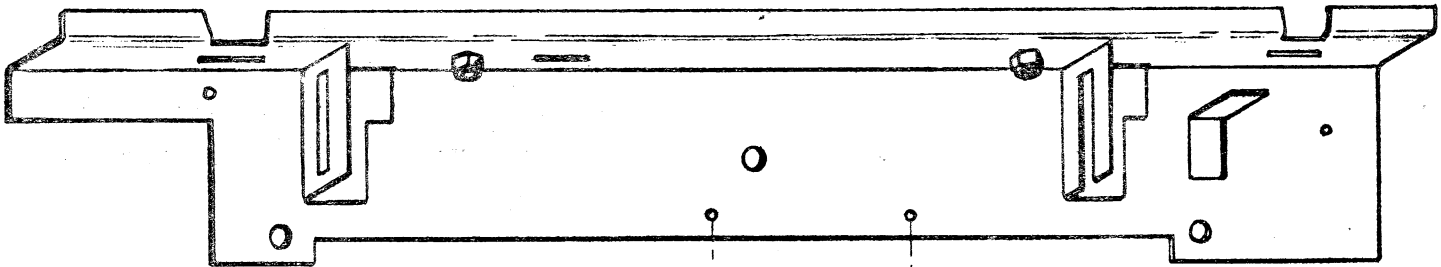


A 4320

B 7090



B 7085

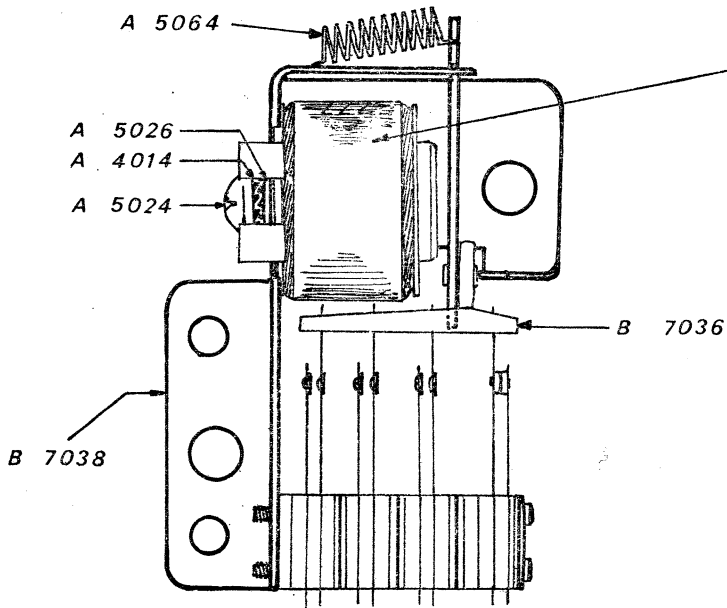


B 7044

A 7099



SMALL RELAY C 8034



- B 6021 : M 29-1000
- B 6049 : M 30-1400
- B 6051 : M 25-400

00 A 6015

A 4022 3/48 x 12

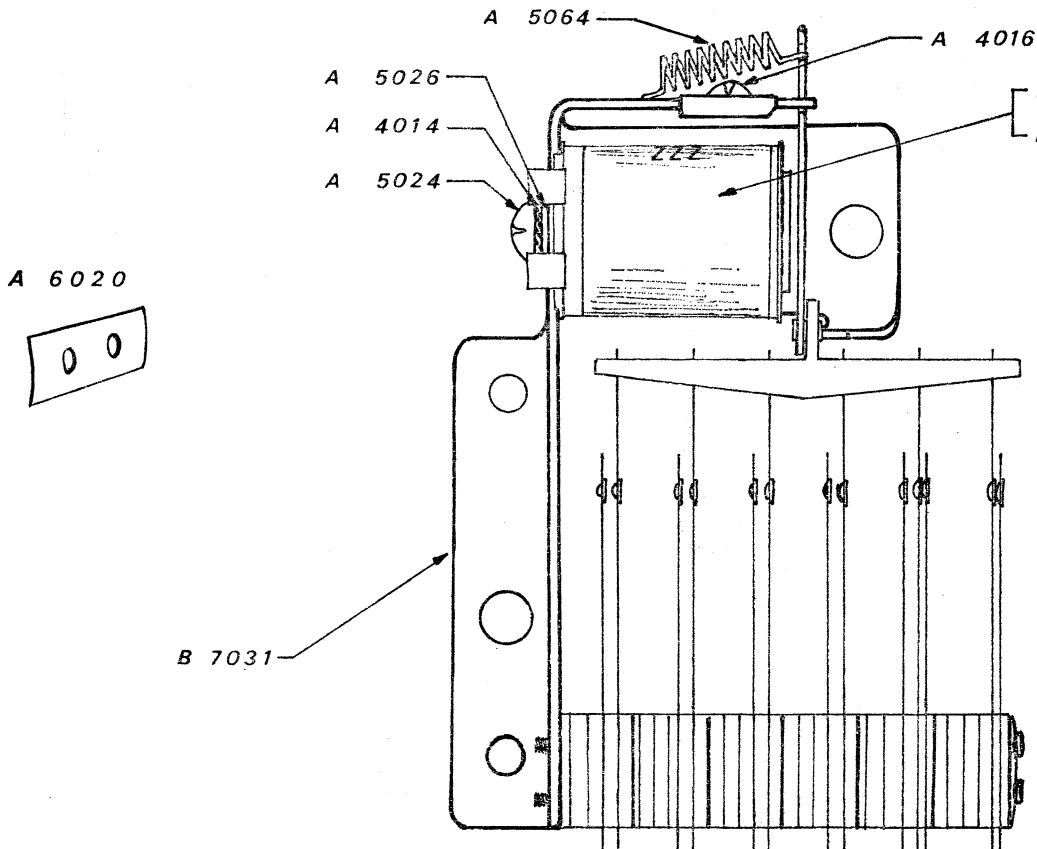
A 4213 3/48 x 19

A 4209 3/48 x 22

A 4191 3/48 x 28

A 4192 3/48 x 38

LARGE RELAY C 8033



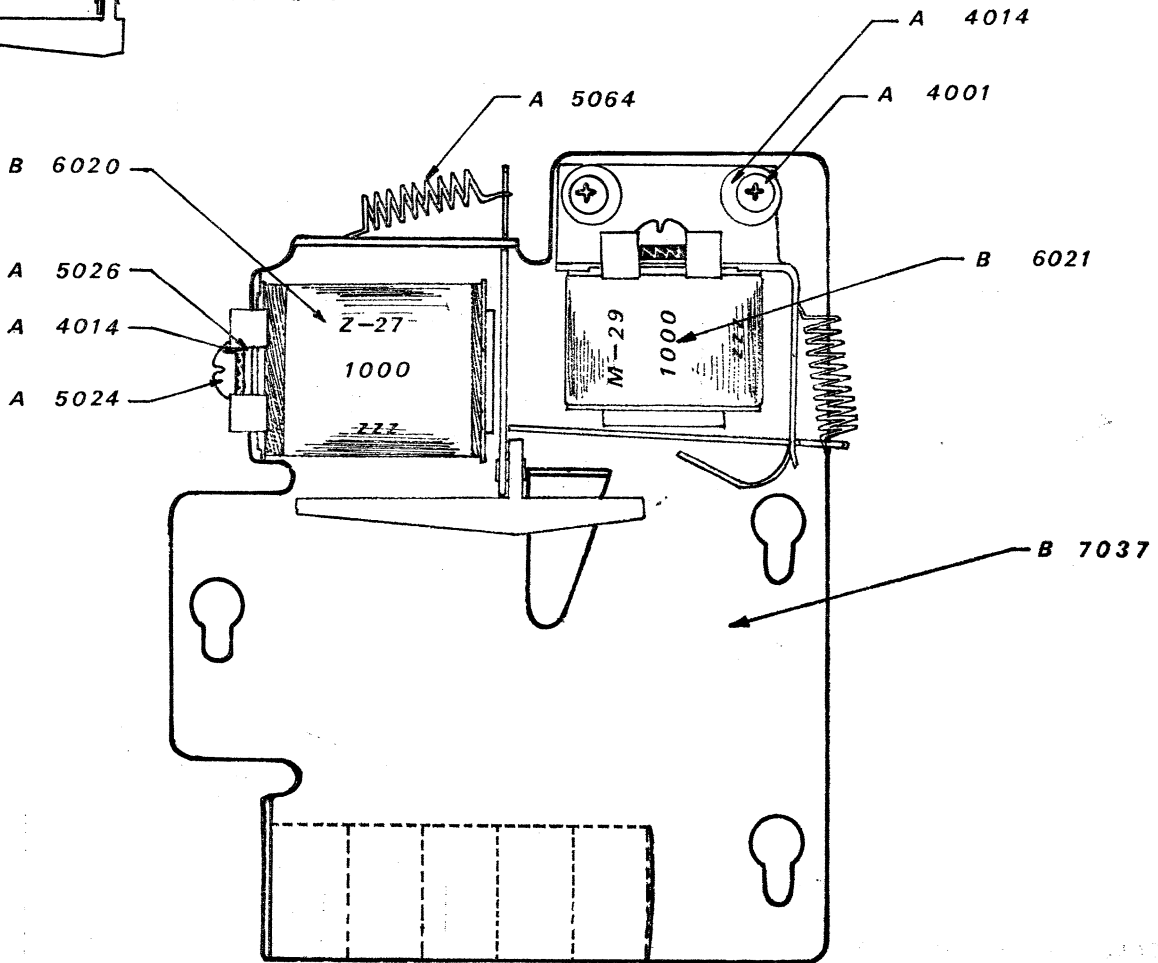
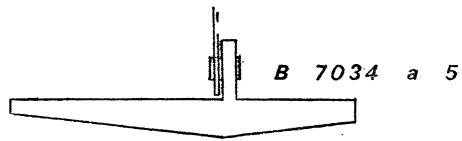
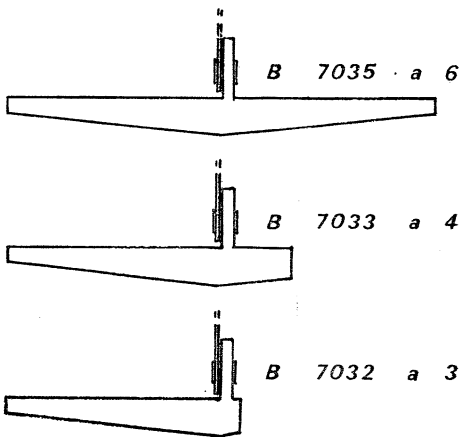
B 6020 : Z 27-1000

B 6019 : Z 28-1200

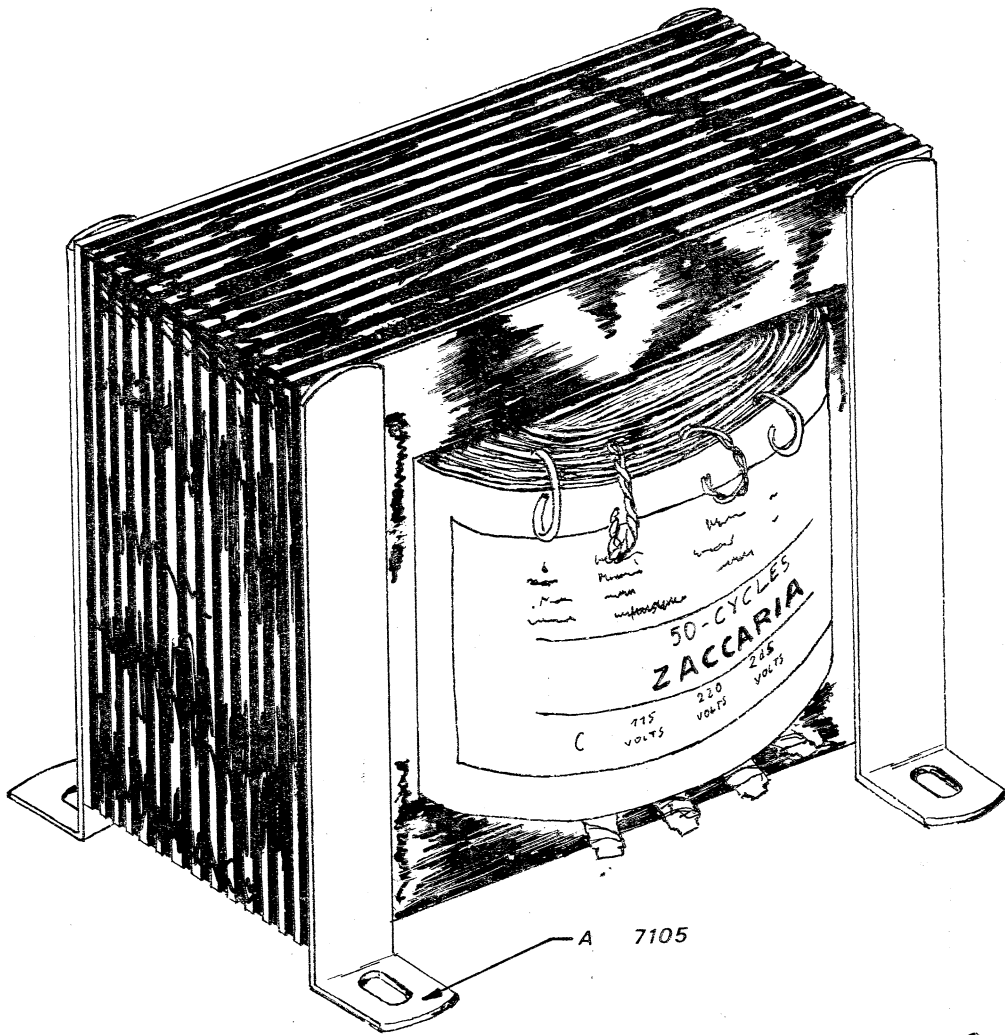
A 6020

00

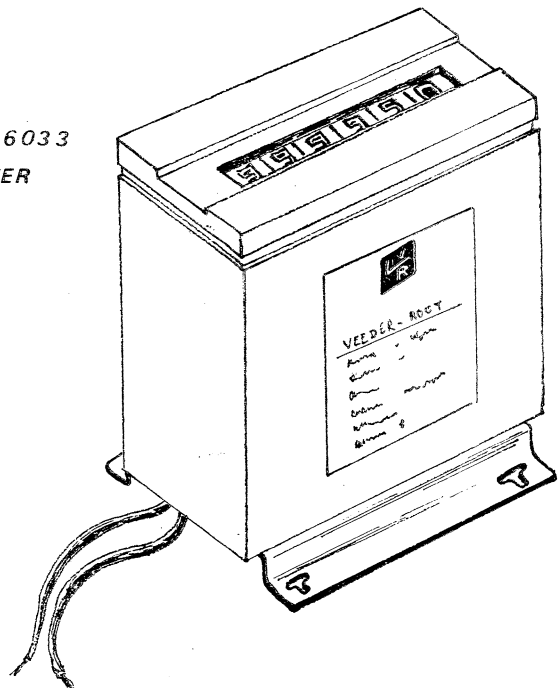
LATCHING RELAY C 8035



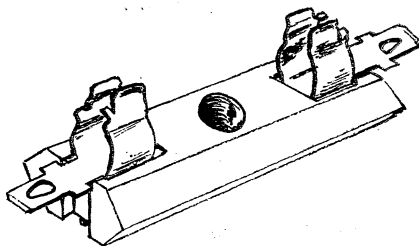
	A 5152	1/8 x 65
	A 5149	1/8 x 45
	A 5147	1/8 x 37
	A 5146	1/8 x 30
	A 5151	1/8 x 55

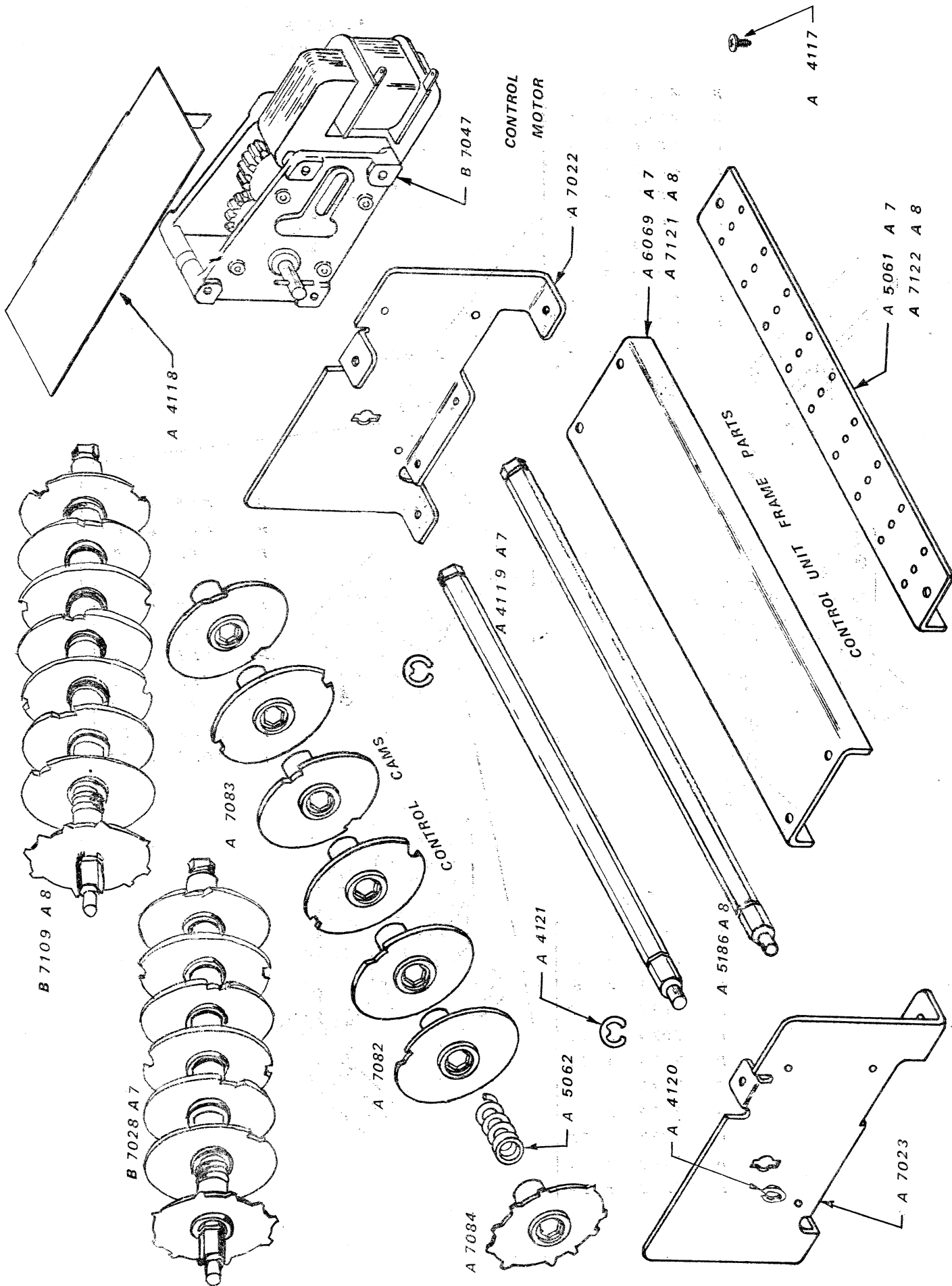


B 6033
METER



B 7055 FUSE HOLDER



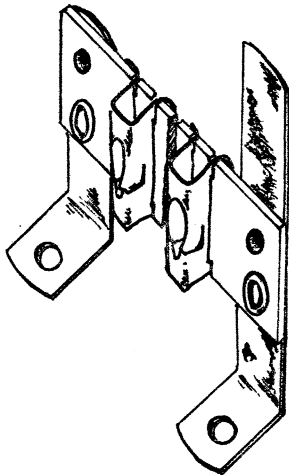
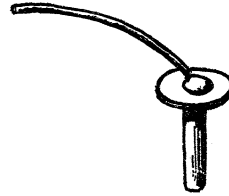
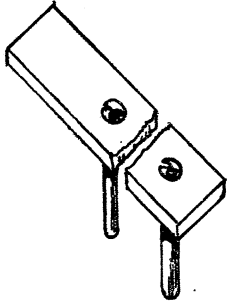


**PLUGS &
SOCKETS**

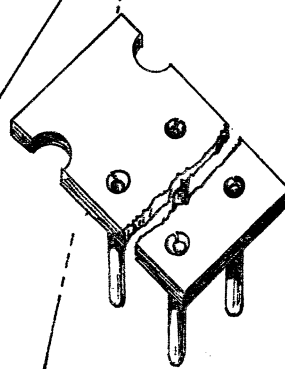
- B 4064 a 2
- B 4069 a 3
- B 4045 a 4
- B 4046 a 5
- B 4047 a 6
- B 4048 a 7
- B 4049 a 8
- B 4050 a 9
- B 4051 a 10
- B 4052 a 11
- B 4053 a 12

B 4044

NUMBER
OF
WAYS

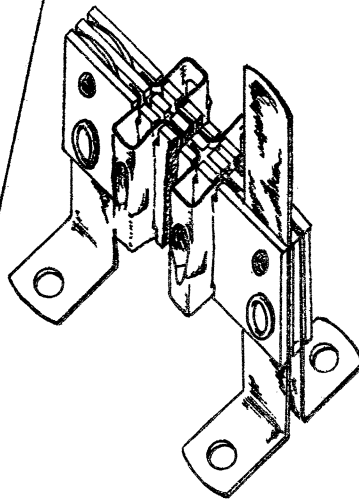


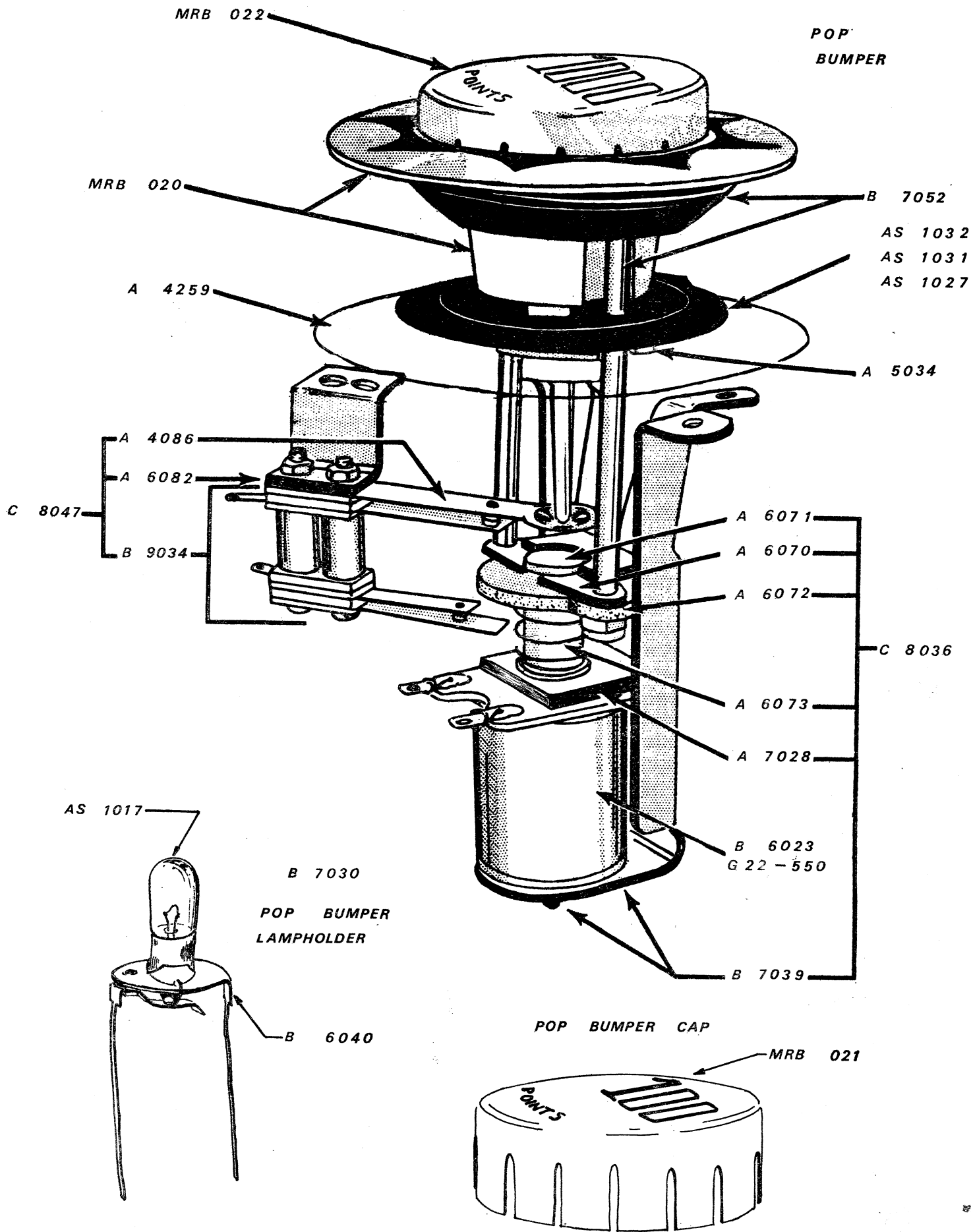
- B 4063 a 2
- B 4070 a 3
- B 4071 a 4
- B 4072 a 5



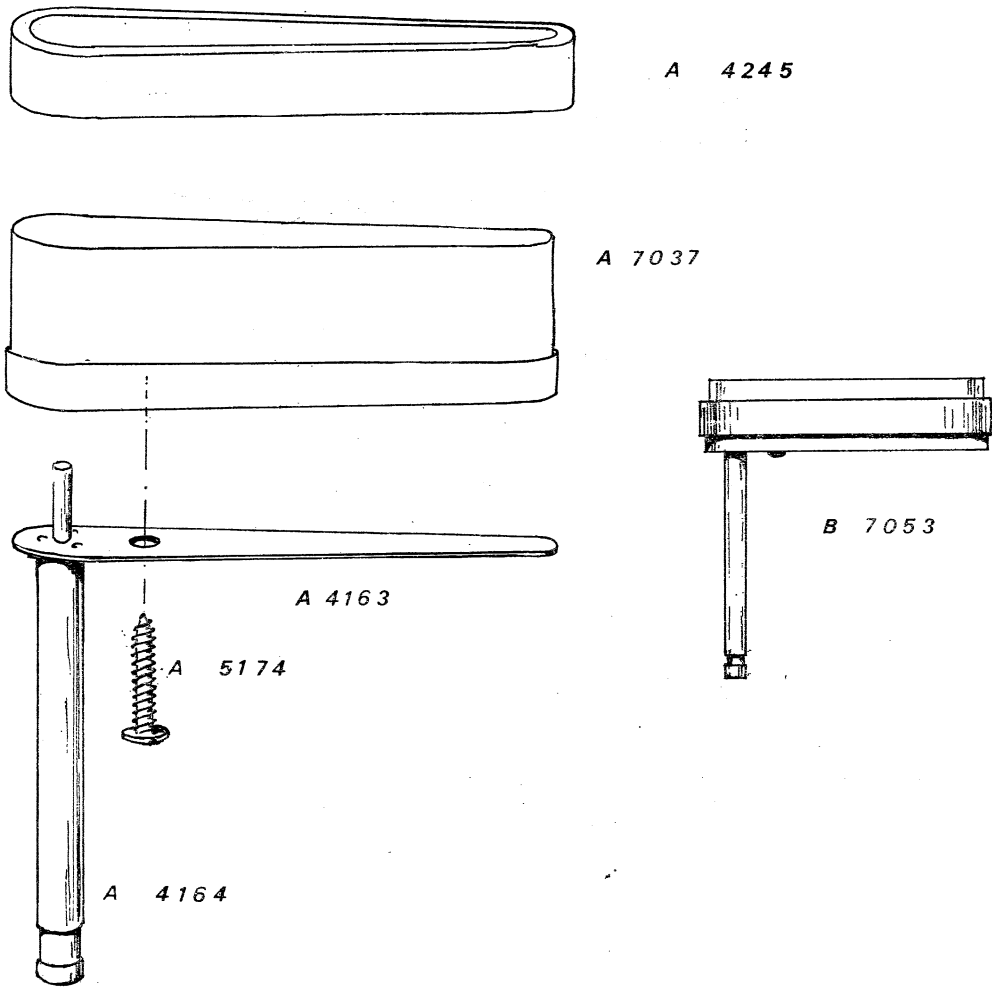
- B 7058 a 4
- B 7059 a 6
- B 7060 a 8
- B 7061 a 10
- B 7062 a 12
- B 7063 a 14
- B 7064 a 16
- B 7065 a 18
- B 7066 a 20
- B 7067 a 22
- B 7068 a 24

- B 7069 a 4
- B 7070 a 6
- B 7071 a 8
- B 7072 a 10
- B 7073 a 12
- B 7074 a 14
- B 7075 a 16
- B 7076 a 18
- B 7077 a 20
- B 7078 a 22
- B 7079 a 24

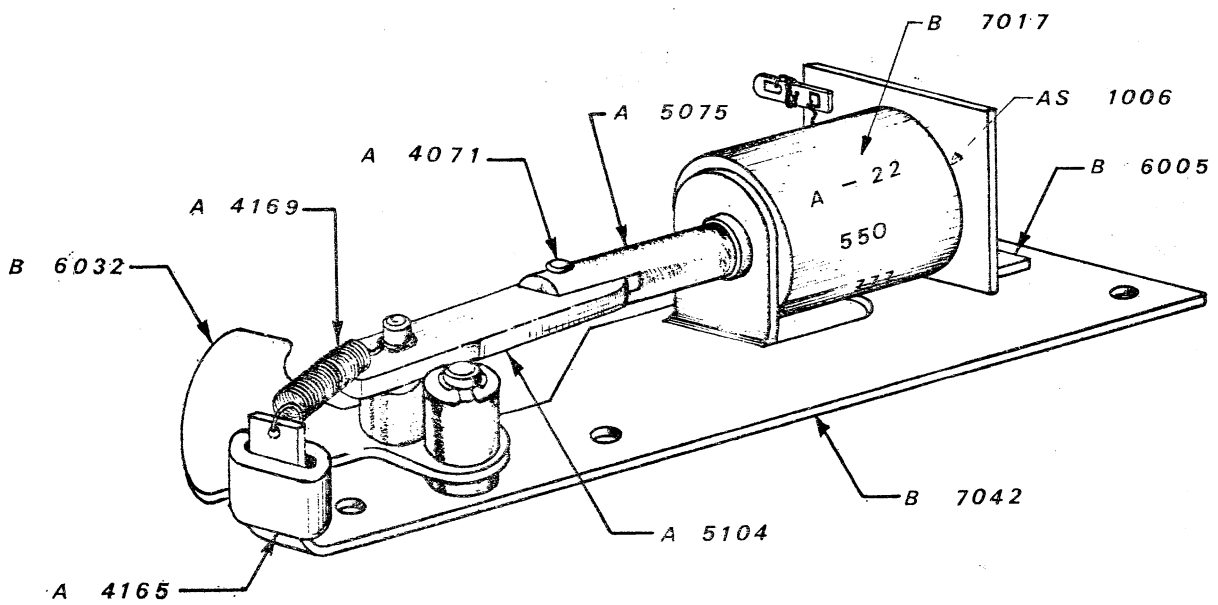


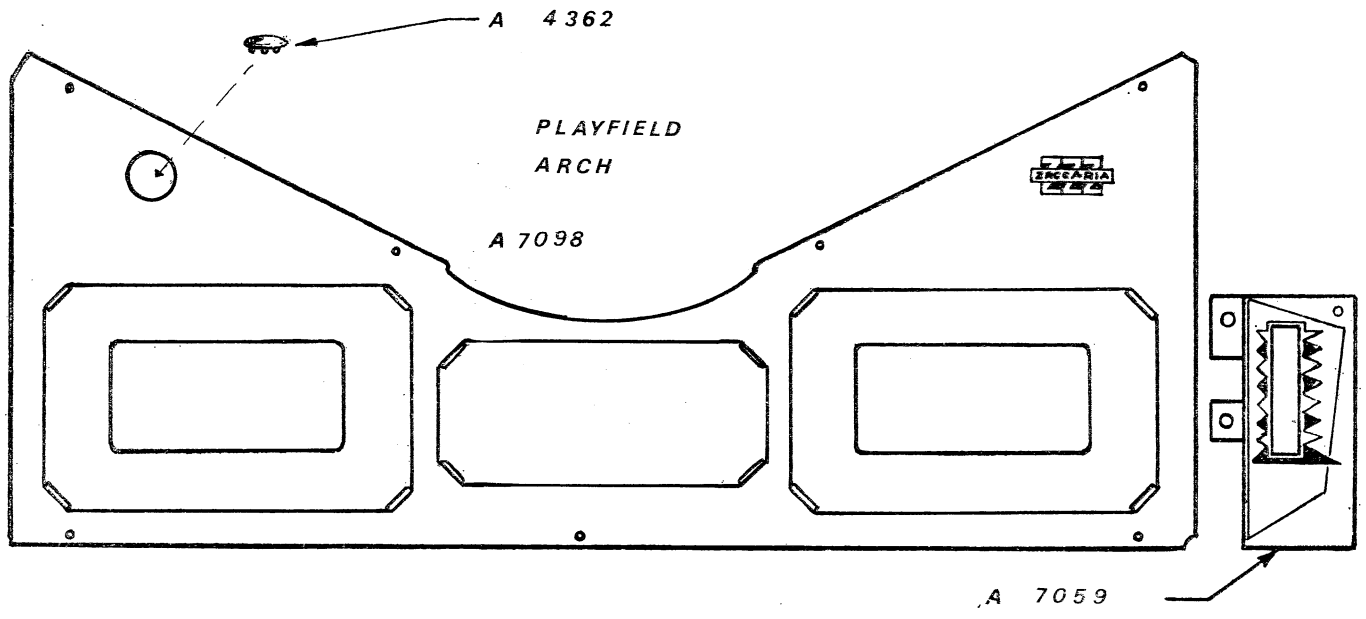


FLIPPER ASSEMBLY

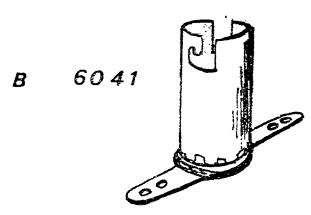
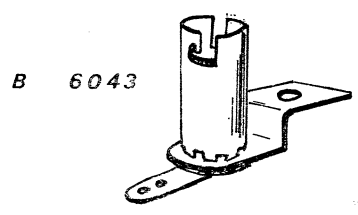
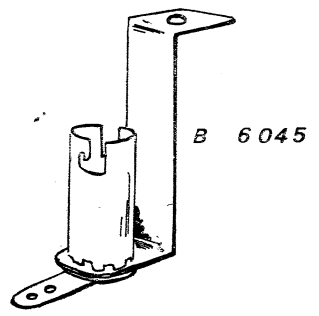
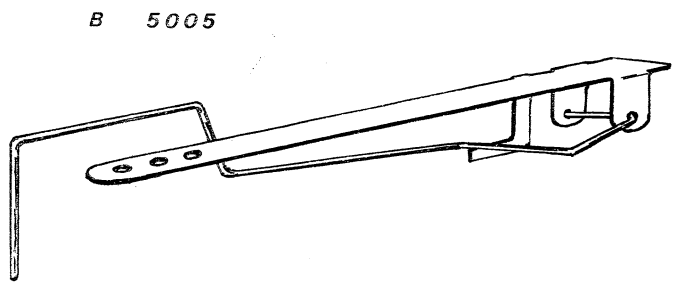


8050 BALL DELIVERY UNIT



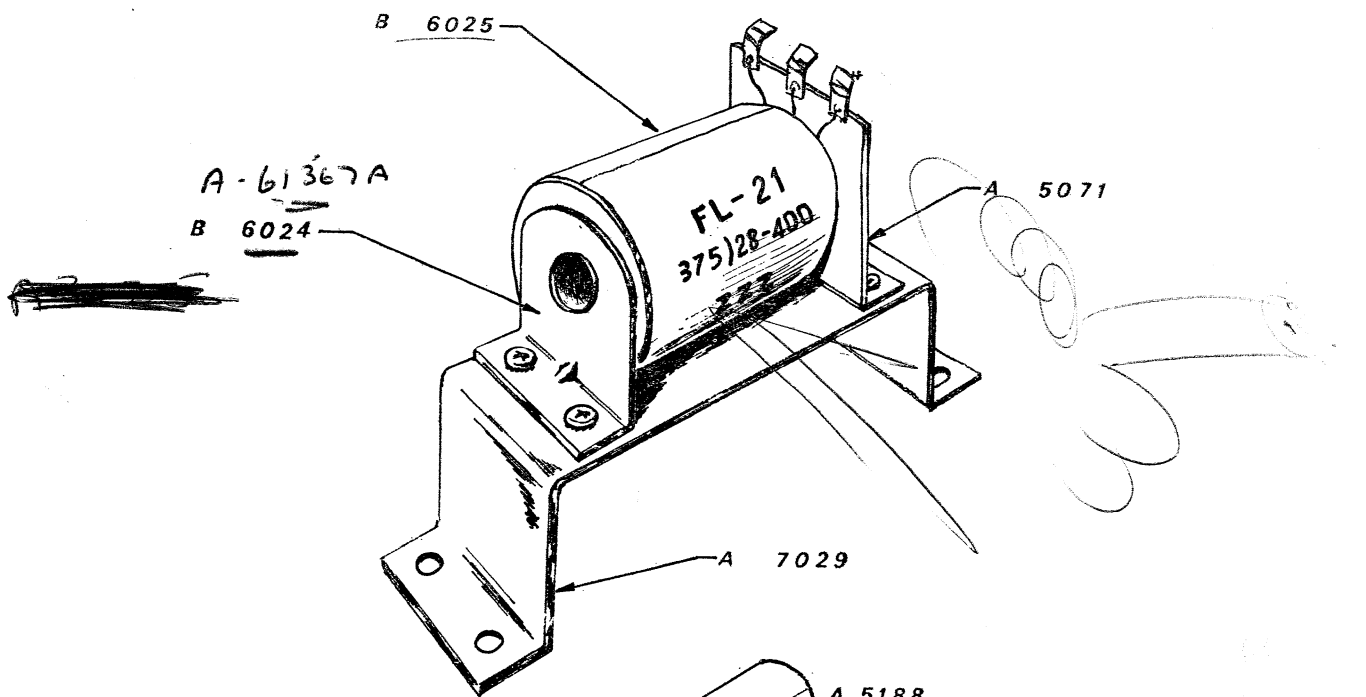


SWITCH WIRE BALL RUNWAY

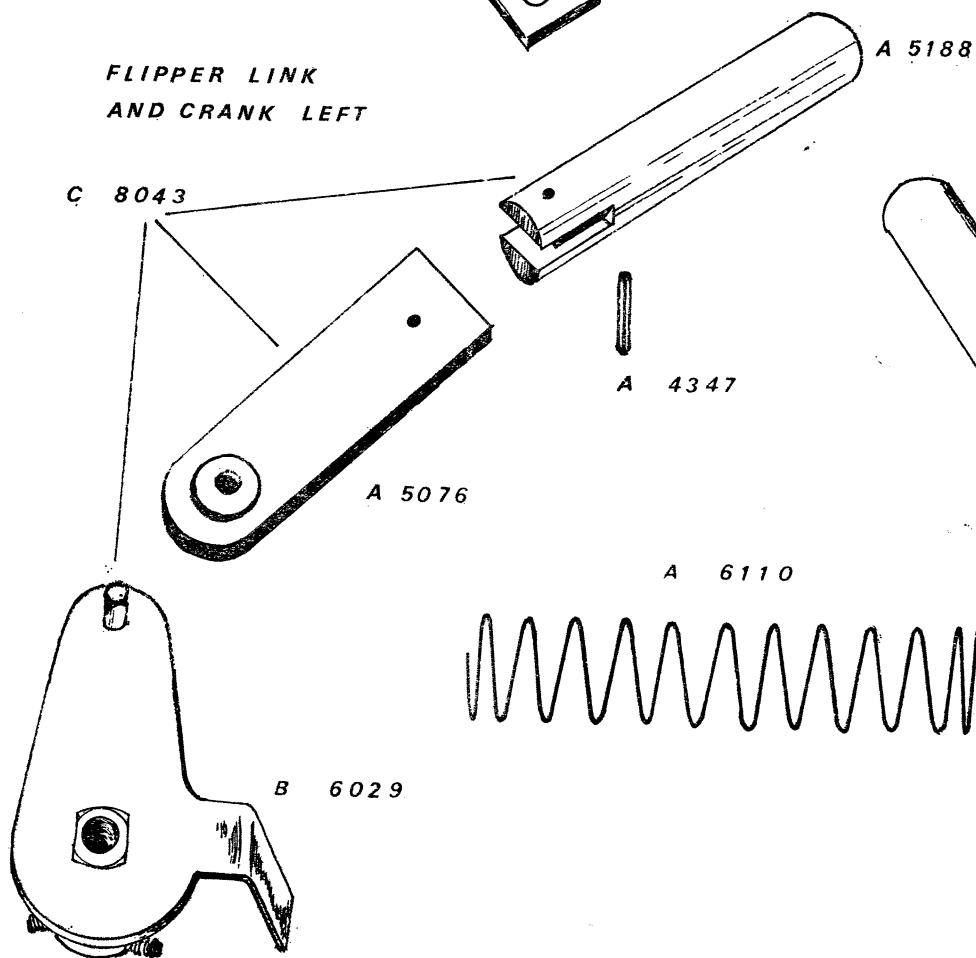


LAMP HOLDERS

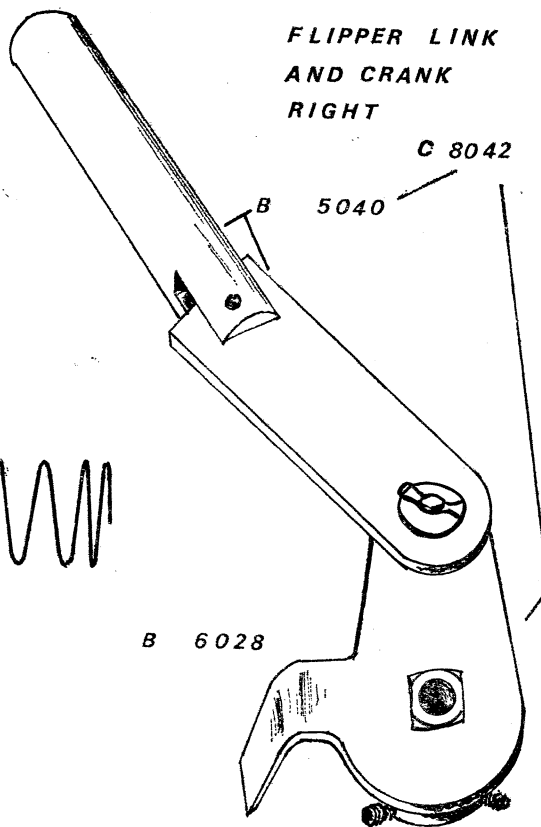
C 8037 FLIPPER COIL AND BRACKET



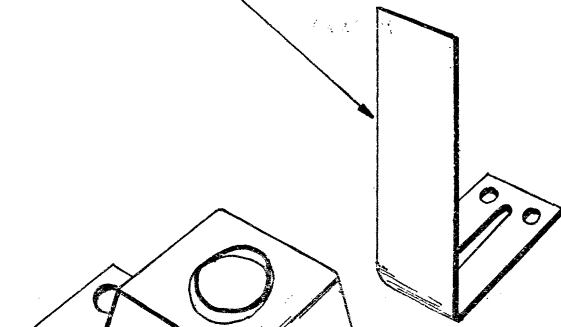
FLIPPER LINK AND CRANK LEFT



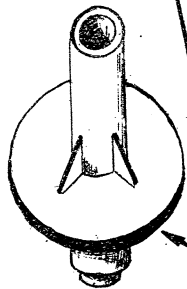
FLIPPER LINK AND CRANK RIGHT



A 7057 FLIPPER STOP BRACKET



FLIPPER
BUSH BRIDGE



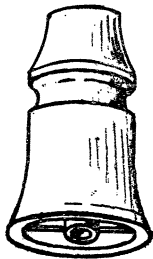
A 6107 FLIPPER BUSH

POSTS

A 4279



A 7064



A 5189



A 6149

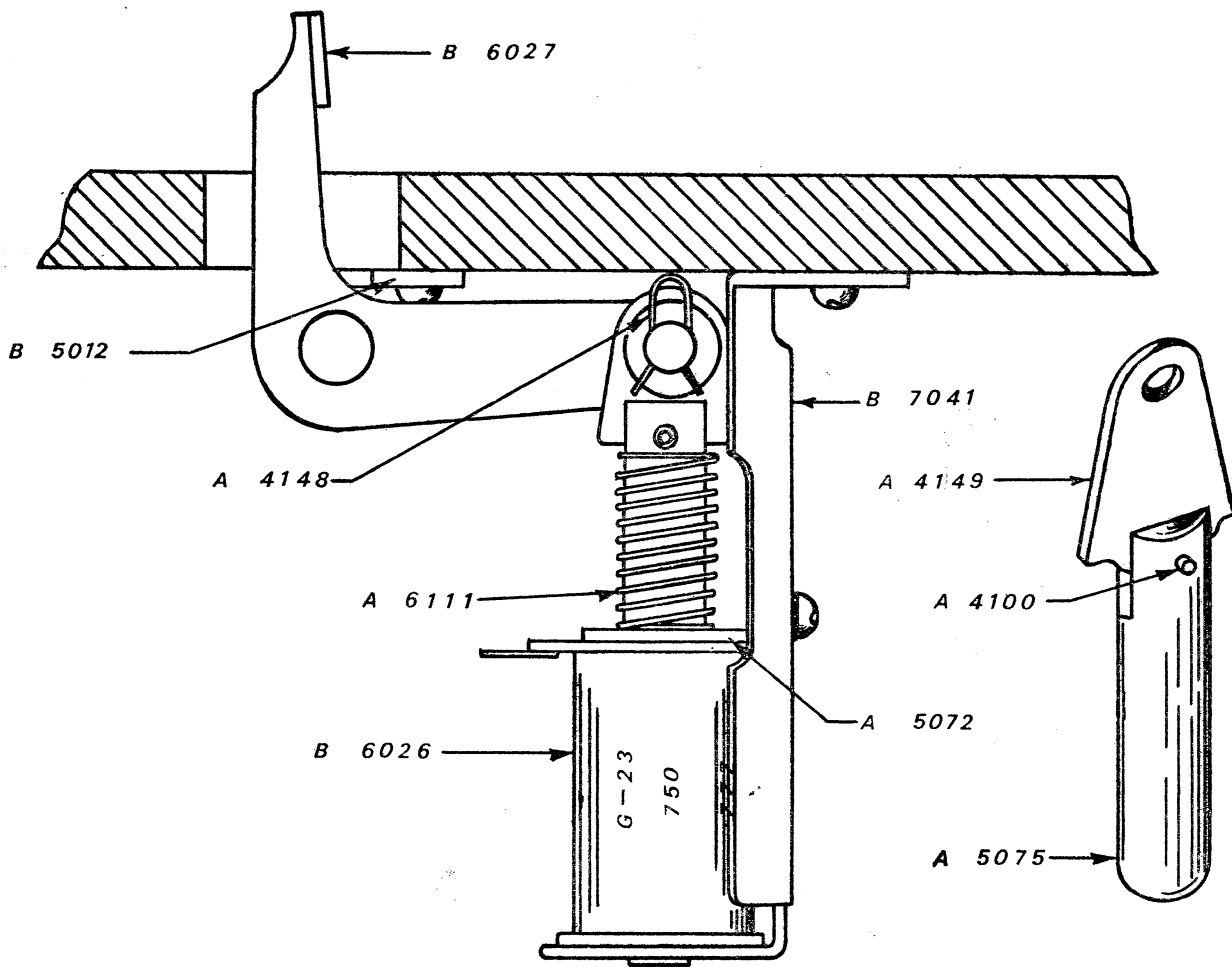


C 8040

SLING SHOT

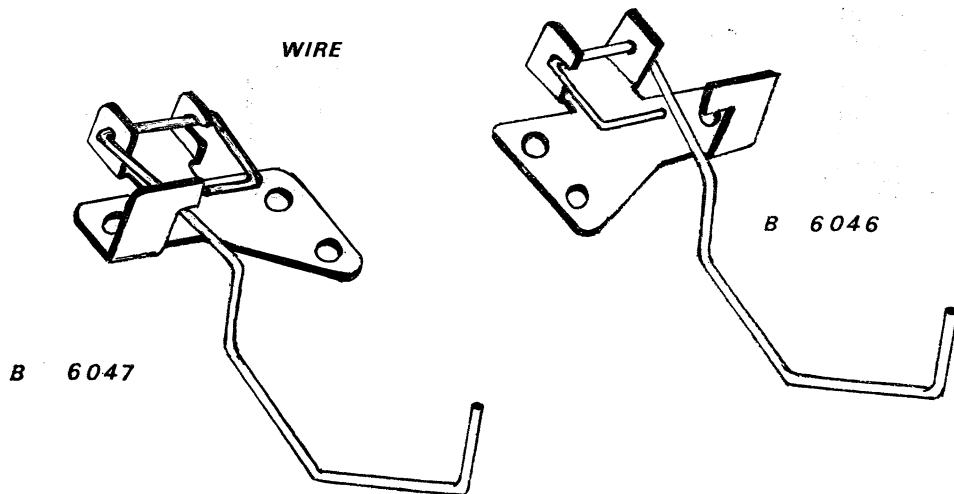
C 8041

KICKER

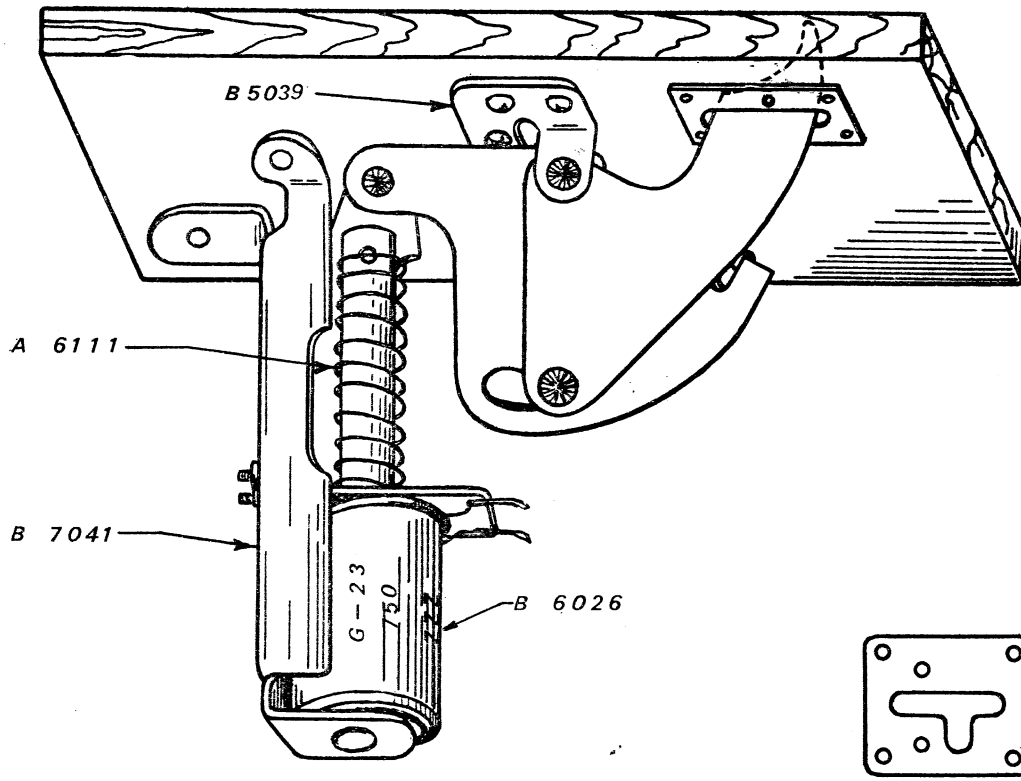


ROLLOVER

WIRE

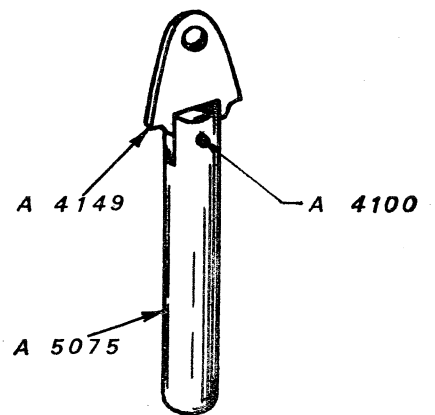
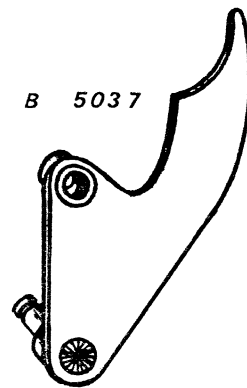
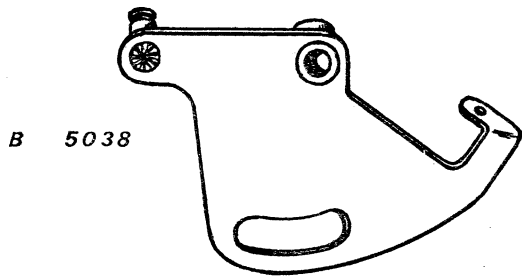


C 8003 HOLE KICKER

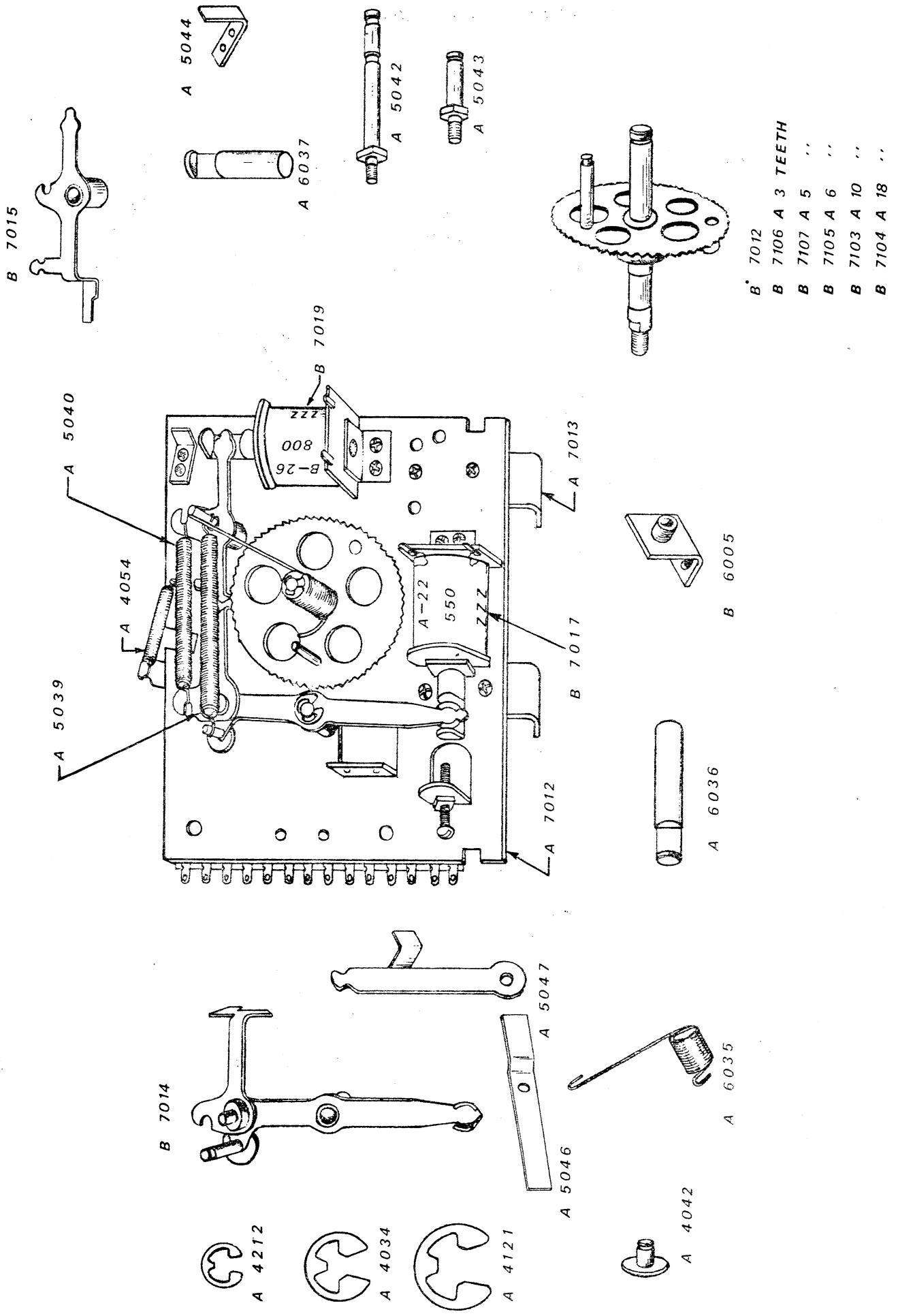


A 4363

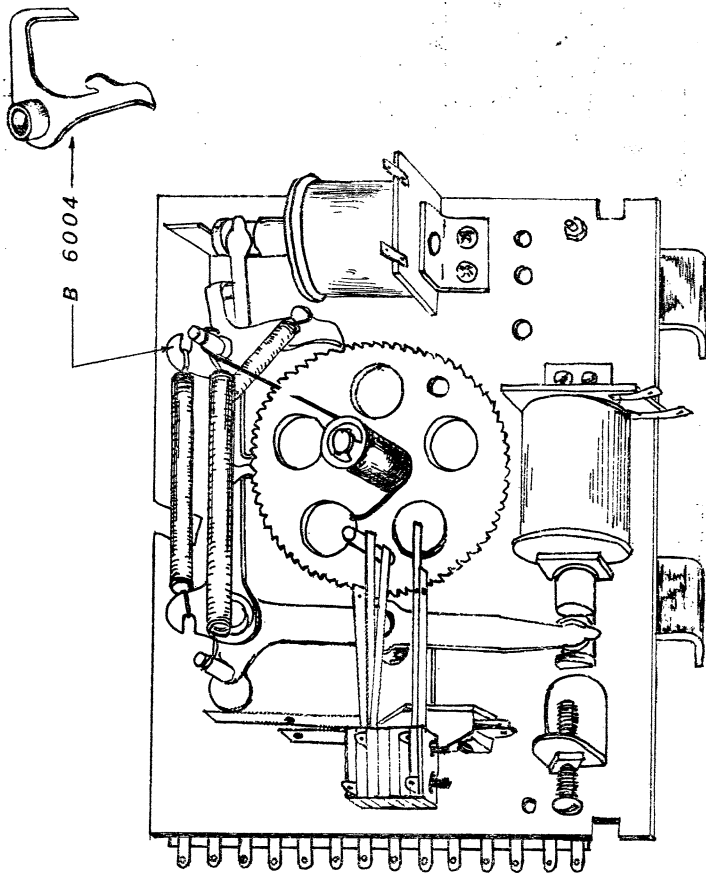
A 5185



STEPPING UNIT C 8002

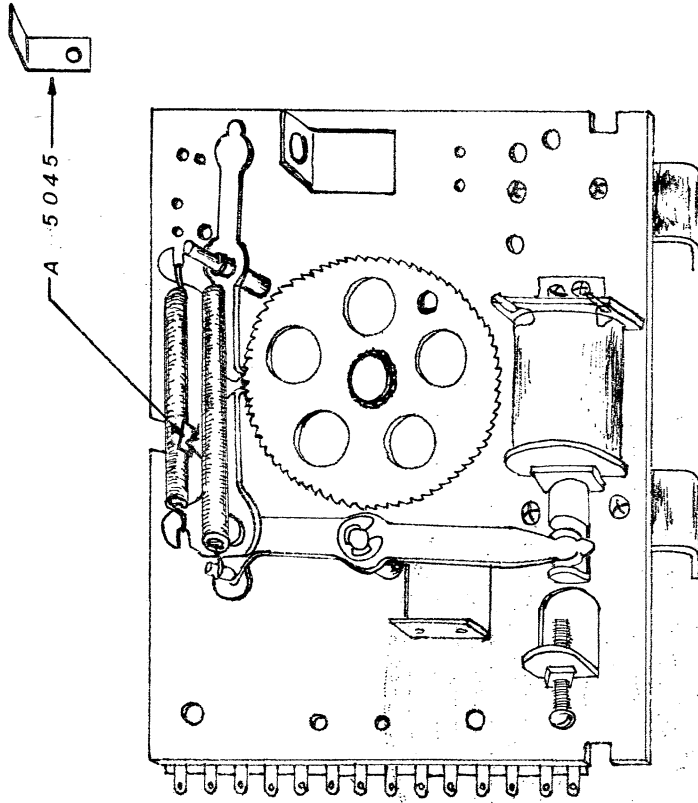


C 8002



STEPPING UNIT
(BOTH WAYS)

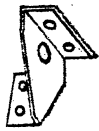
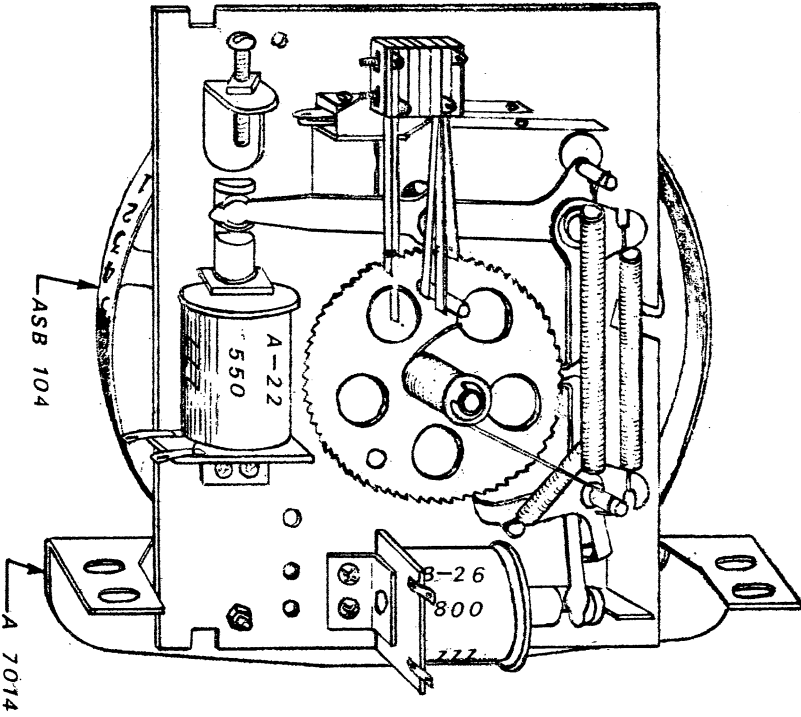
C 8002



STEPPING UNIT
CONTINUOUS

C 8002

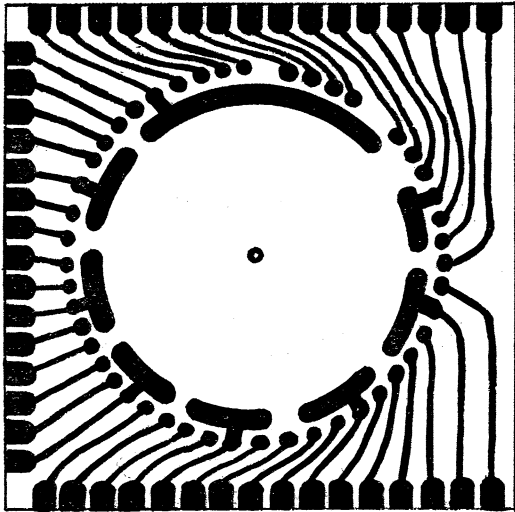
REPLAY UNIT



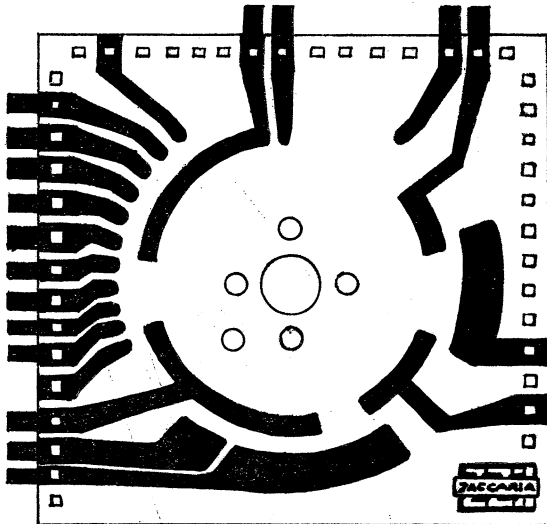
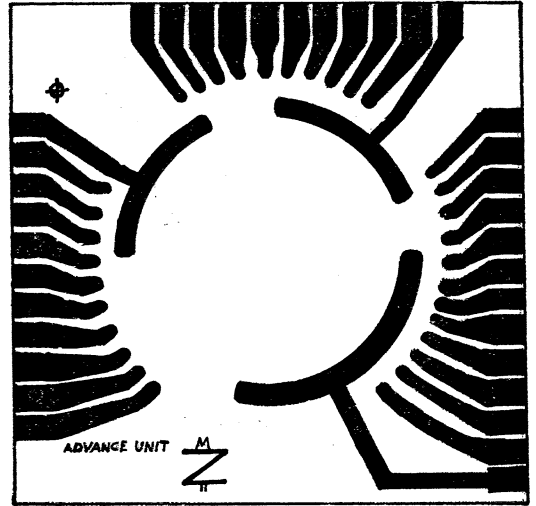
A 6028

PRINTED CIRCUIT BOARDS

A 6140

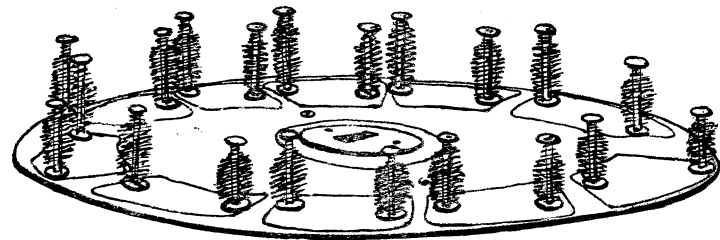


A 6109



B 6034

WIPER ASSEMBLY
FOR PRINTED BOARDS

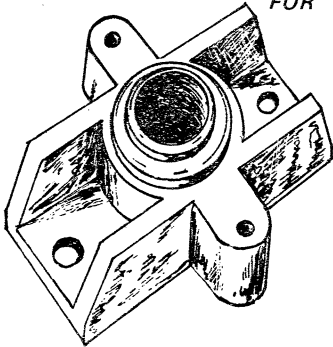


MRB 091

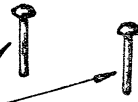
A 6026

NYLON BEARING

FOR STEP UNIT



A 4214



A 4045



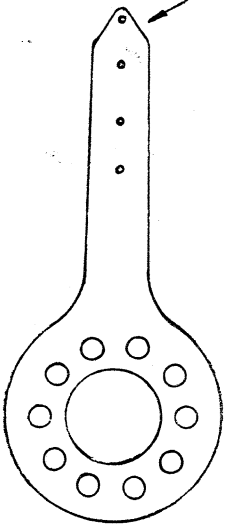
A 4047



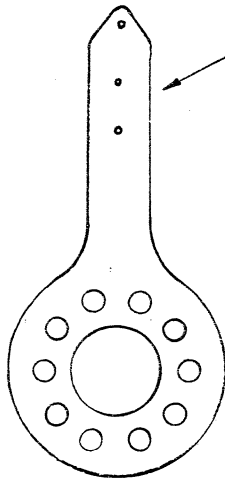
A 4046



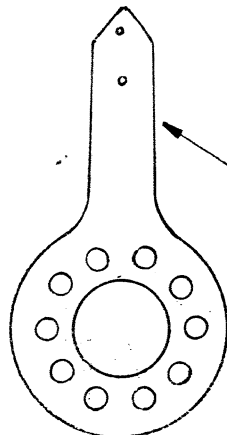
A 4281



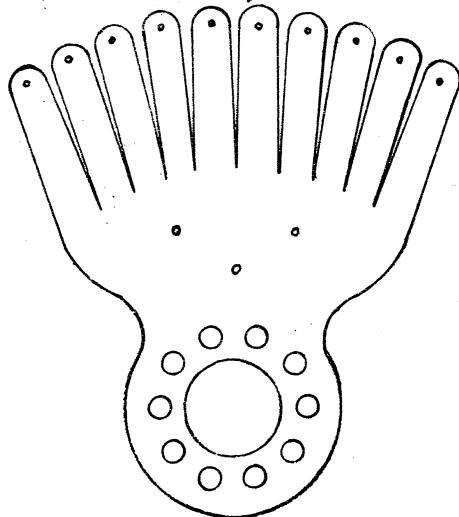
A 6033



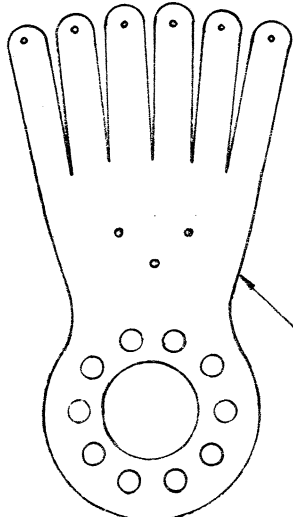
A 5018



A 4364

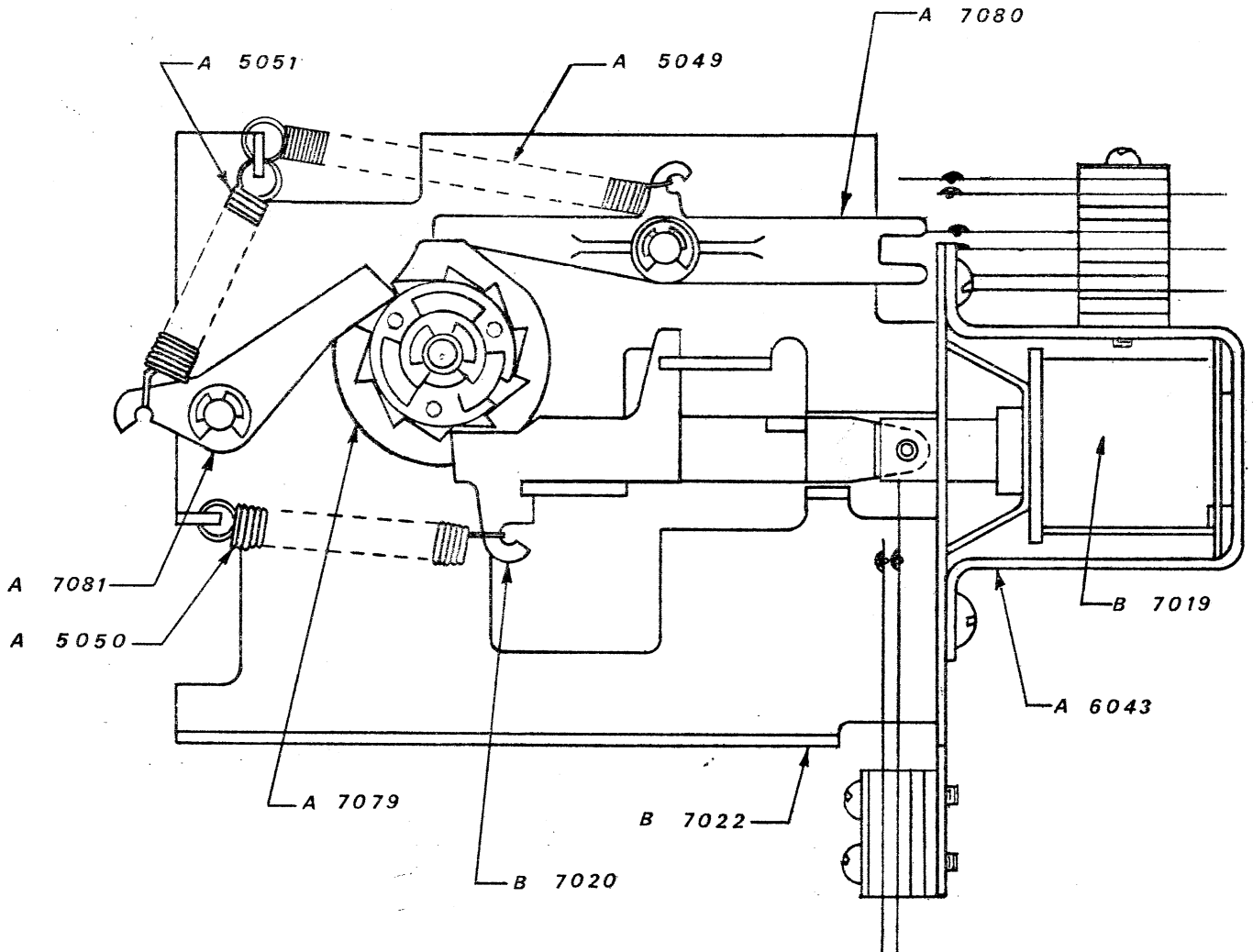


A 4370

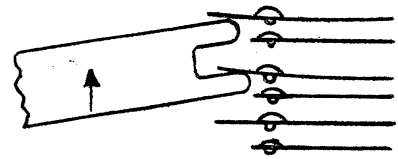


CONTACT
WIPER'S
STATE
NUMBER
WHEN
ORDERING

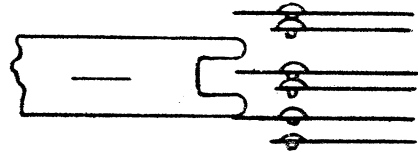
DRUM UNIT
(SCORE UNIT)



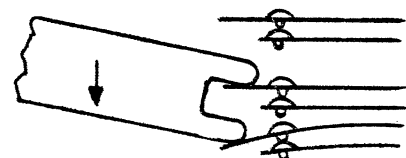
POSIZIONE a ZERO



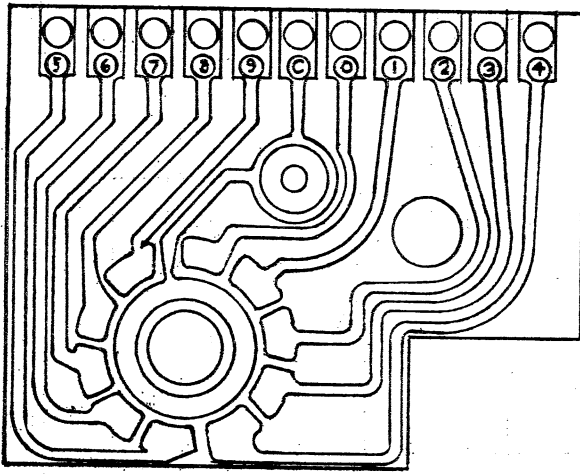
POSIZIONE da 1 a 8



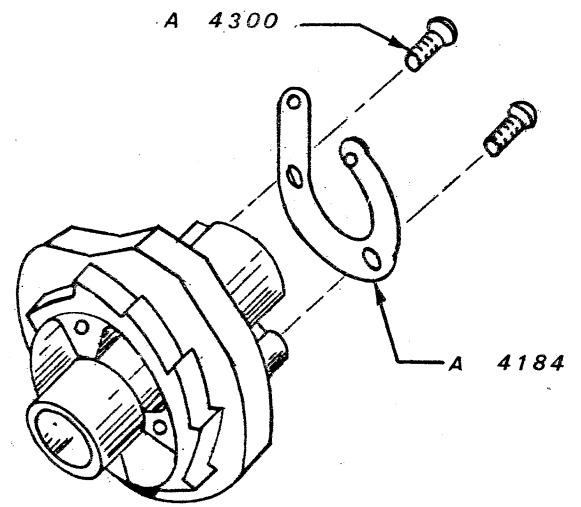
POSIZIONE a 9



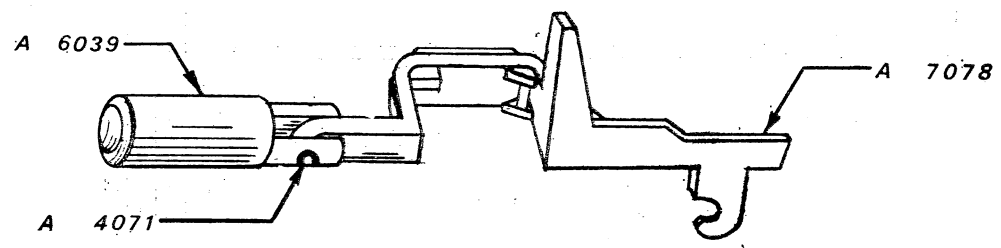
DRUM UNIT
(SCORE UNIT)



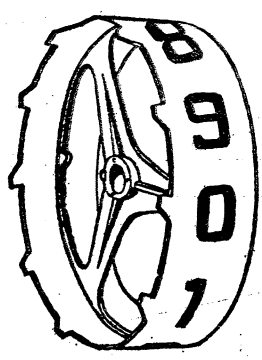
B 6038



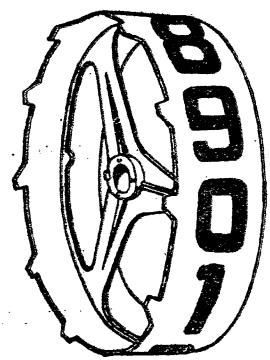
A 7079



ASB 115

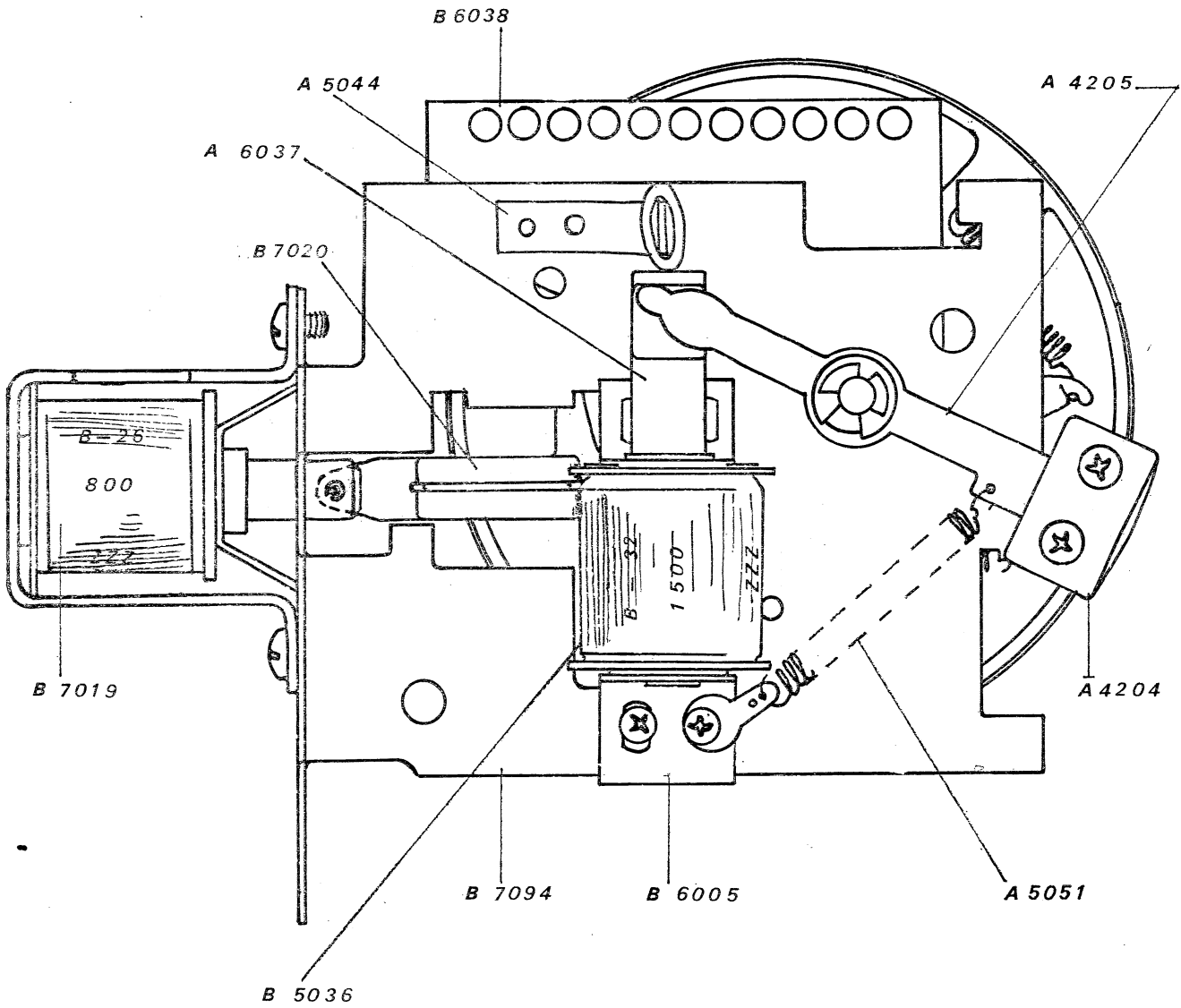


ASB 105



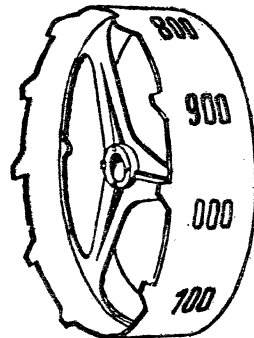
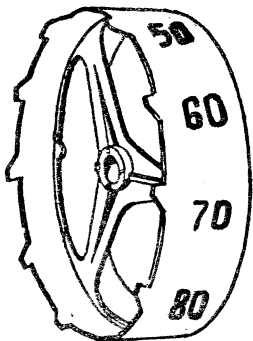
C 8055

FINAL SCORE UNIT



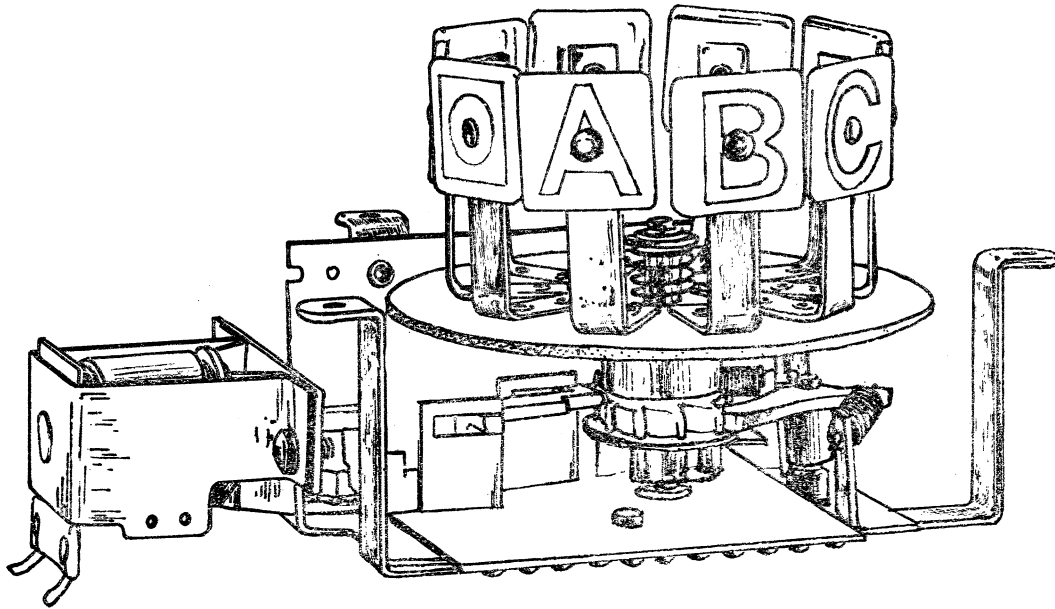
ASB 114

ASB 117



ROTATING TARGET UNIT

C 8060



A 4299



A 4297



A 4298



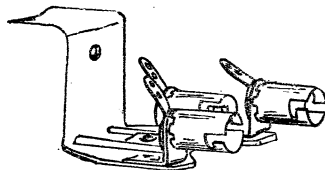
A 4295



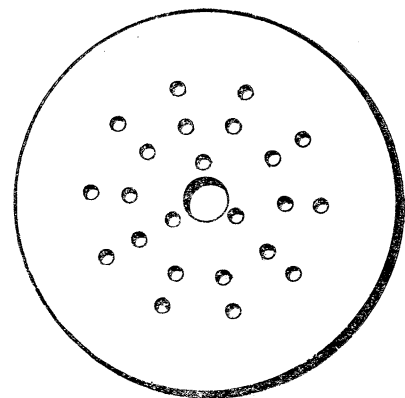
A 4296



B 4067



B 5030



A 4293

ROTATING TARGET UNIT



MRB 053



MRB 054



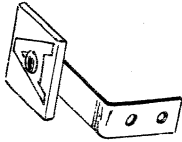
MRB 055



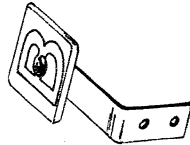
MRB 056



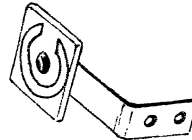
MRB 057



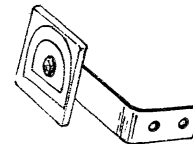
MRB 058



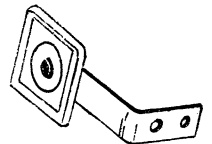
MRB 059



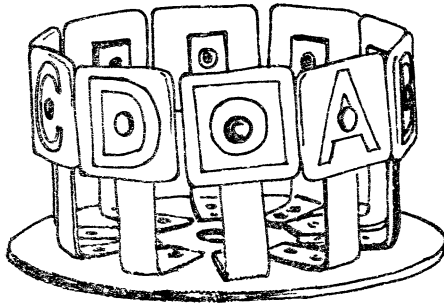
MRB 060



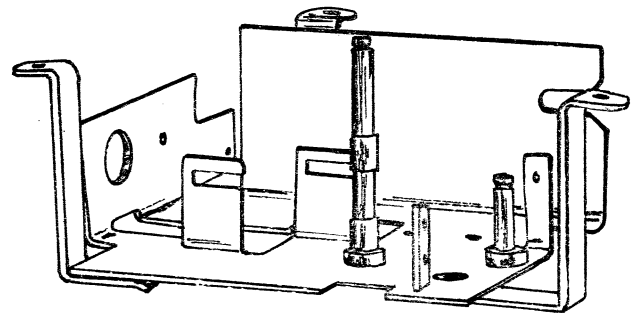
MRB 061



MRB 062

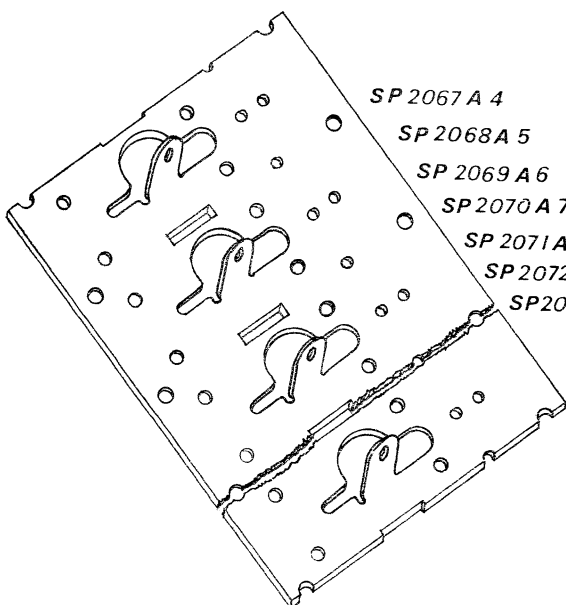


MRB 063



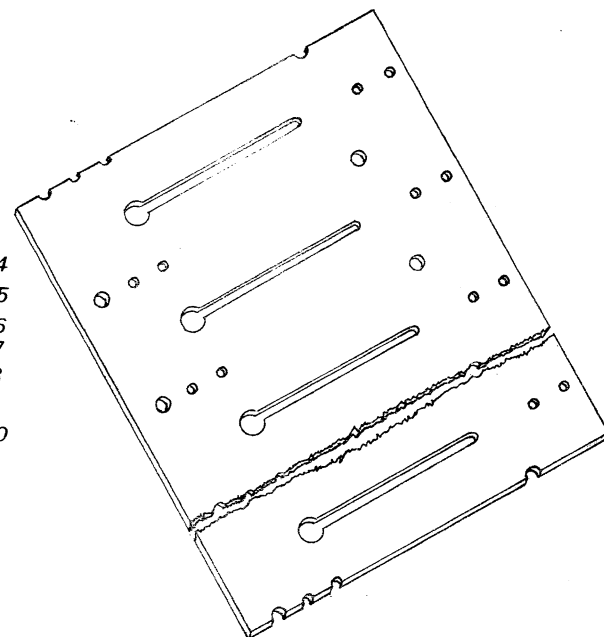
B 6048

DROP TARGET PART'S C 8025

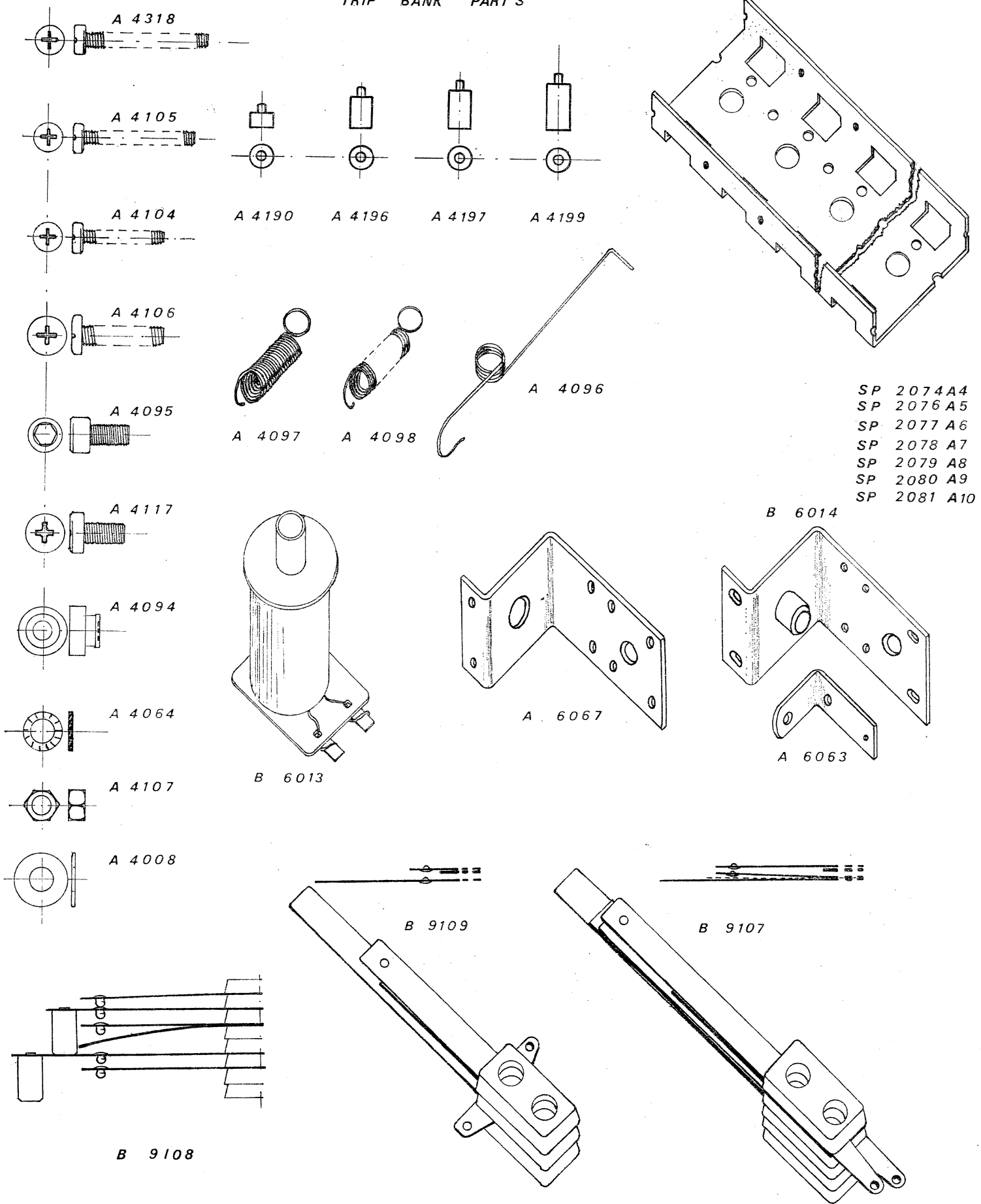


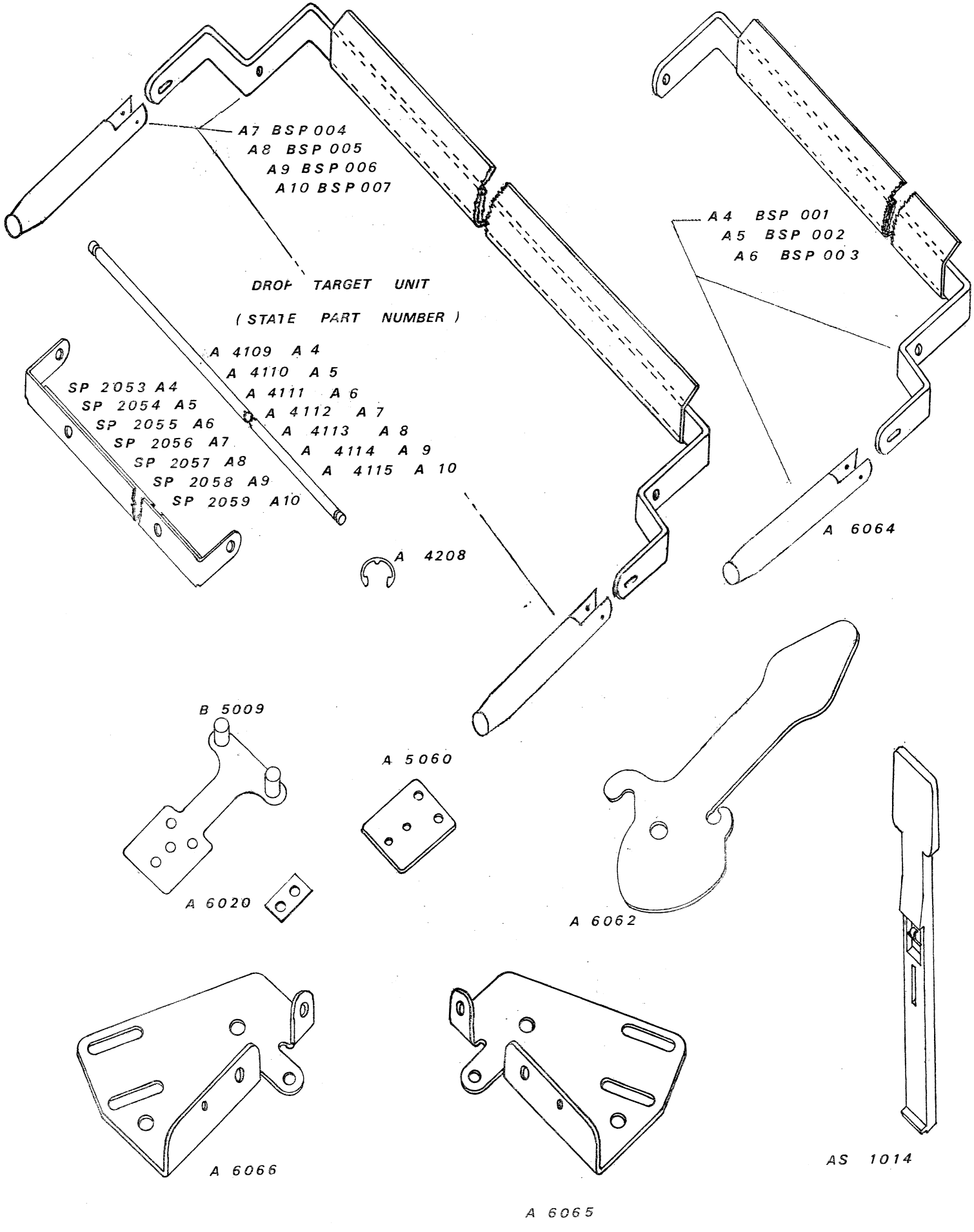
- SP 2067 A 4
- SP 2068 A 5
- SP 2069 A 6
- SP 2070 A 7
- SP 2071 A 8
- SP 2072 A 9
- SP 2073 A 10

- SP 2060 A 4
- SP 2061 A 5
- SP 2062 A 6
- SP 2063 A 7
- SP 2064 A 8
- SP 2065 A 9
- SP 2066 A 10



TRIP BANK PART'S





A7 BSP 004
 A8 BSP 005
 A9 BSP 006
 A10 BSP 007

A4 BSP 001
 A5 BSP 002
 A6 BSP 003

DROP TARGET UNIT
 (STATE PART NUMBER)

A 4109 A 4
 A 4110 A 5
 SP 2053 A 4
 A 4111 A 6
 SP 2054 A 5
 A 4112 A 7
 SP 2055 A 6
 A 4113 A 8
 SP 2056 A 7
 A 4114 A 9
 SP 2057 A 8
 A 4115 A 10
 SP 2058 A 9
 SP 2059 A 10

A 6064

A 4208

B 5009

A 5060

A 6020

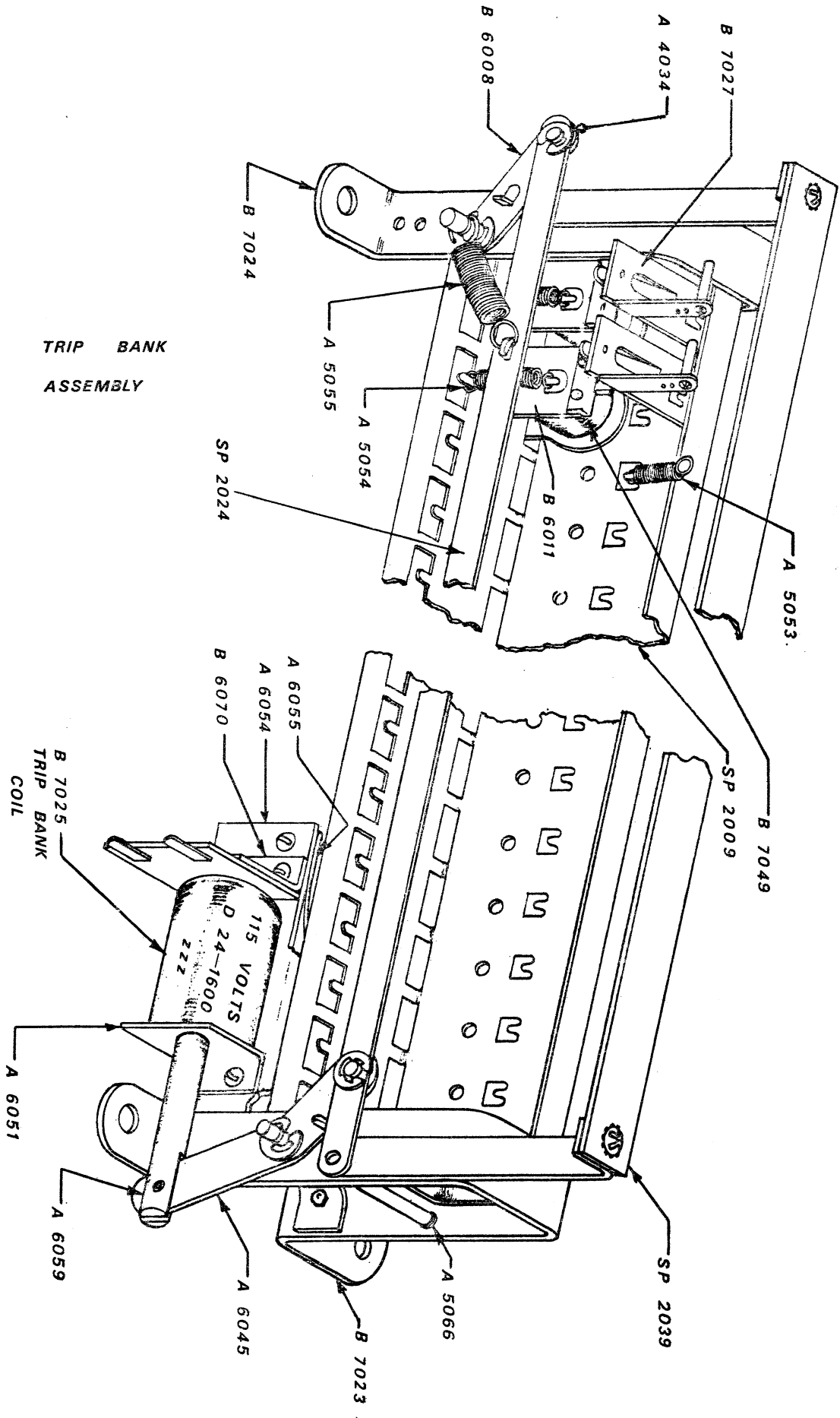
A 6062

A 6066

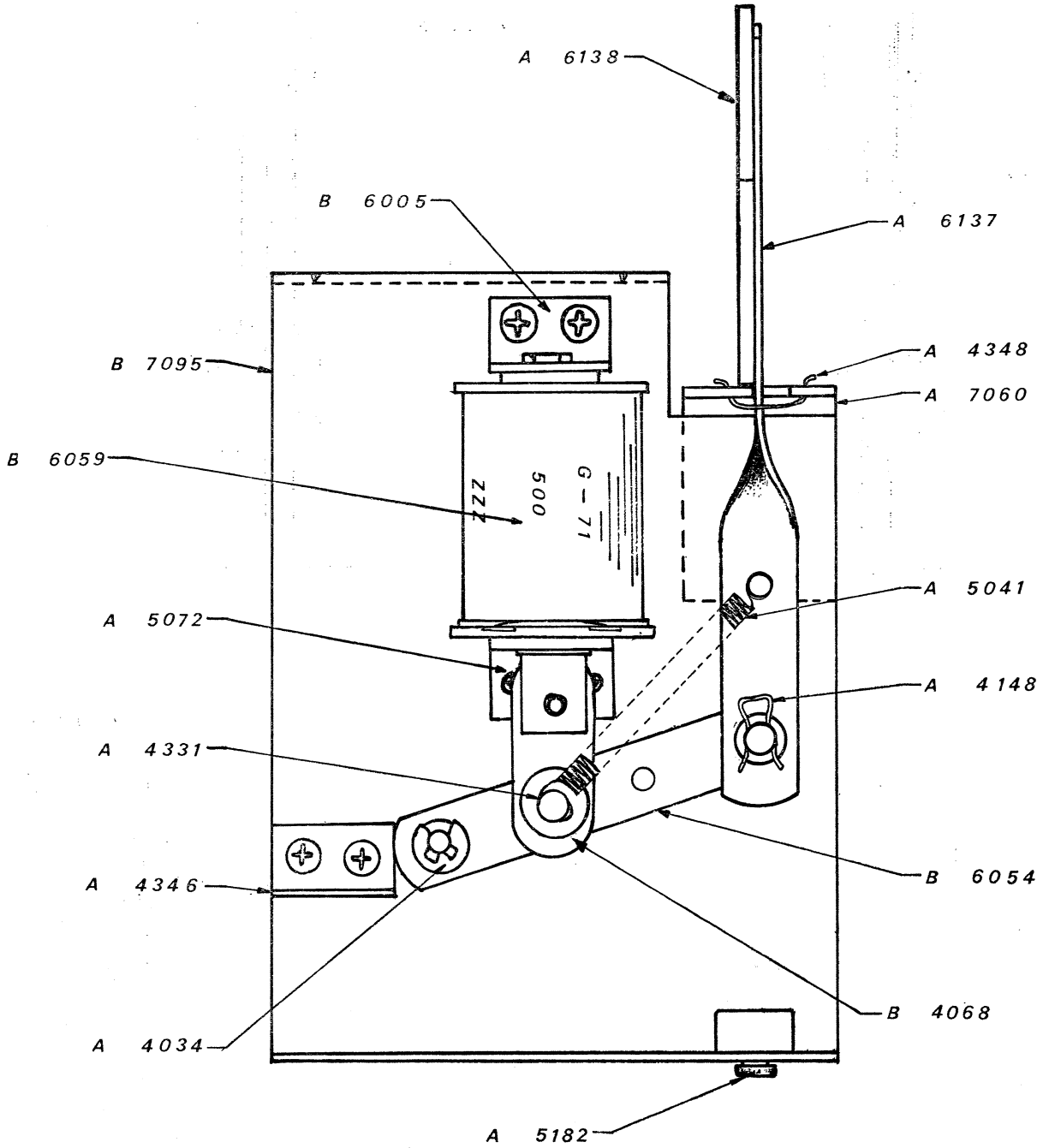
A 6065

AS 1014

TRIP BANK
ASSEMBLY

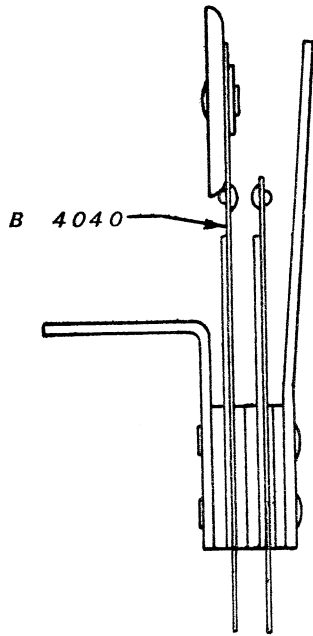


C 8062 MOVING TARGET
COMPLETE ASSEMBLY

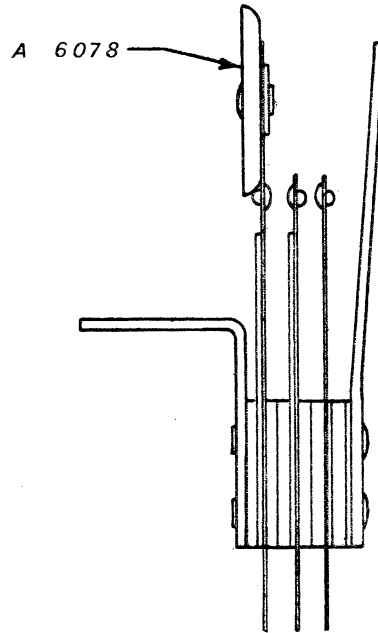


TARGET ASSEMBLIES

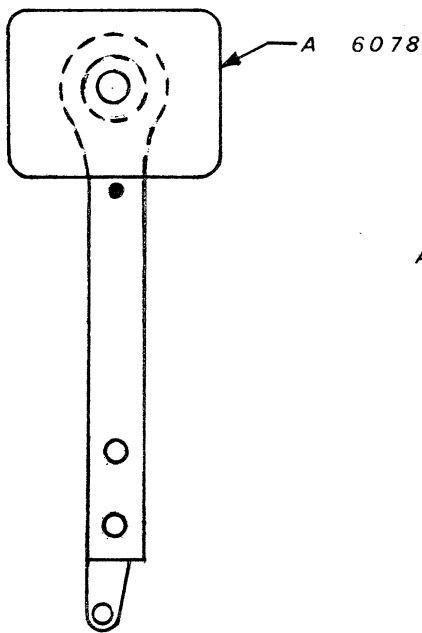
(STATE DESIGN)



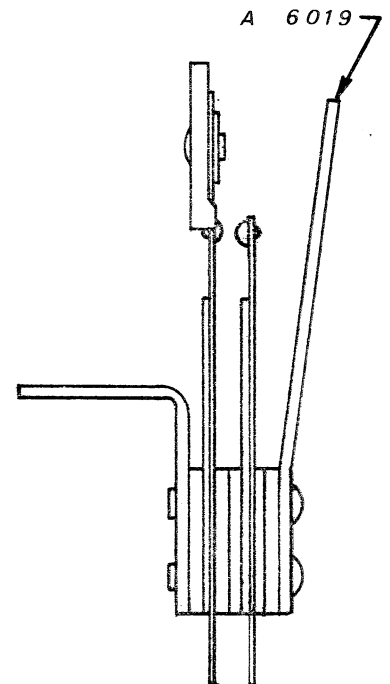
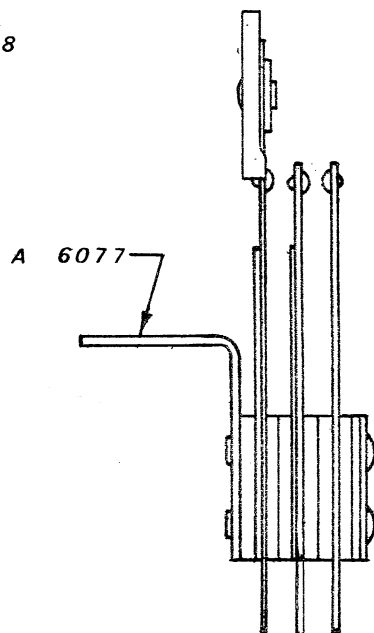
MRB 035



MRB 034



MRB 033



BACK
CABINET
BOLT

A 7048



A 5113
WASHER FOR BACK CABINET
BOLT



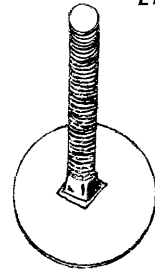
A 5115

A 7047 LEG BOLT

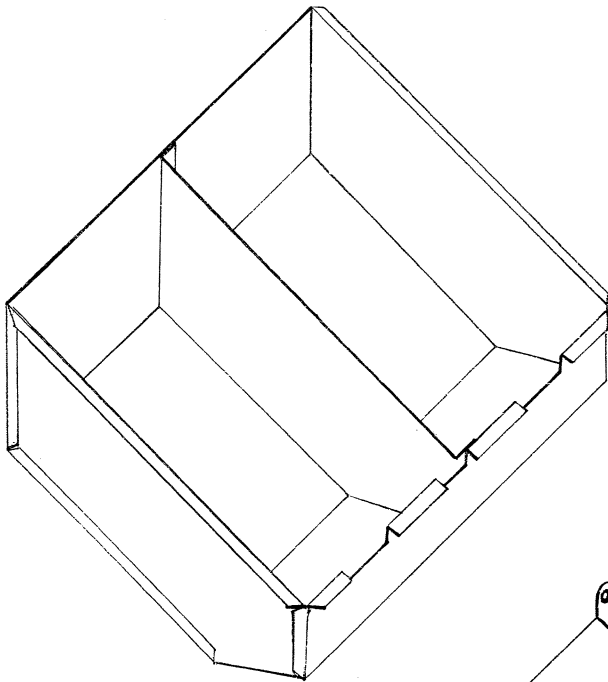


A 4188 BALL

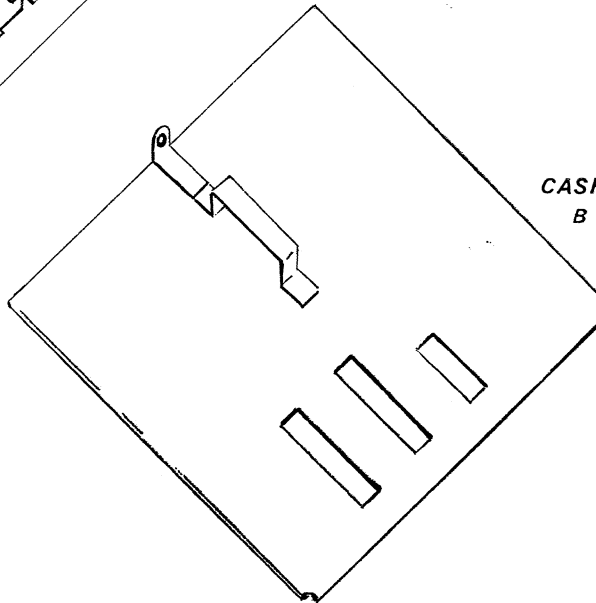
B 7045 LEG
LEVELLER

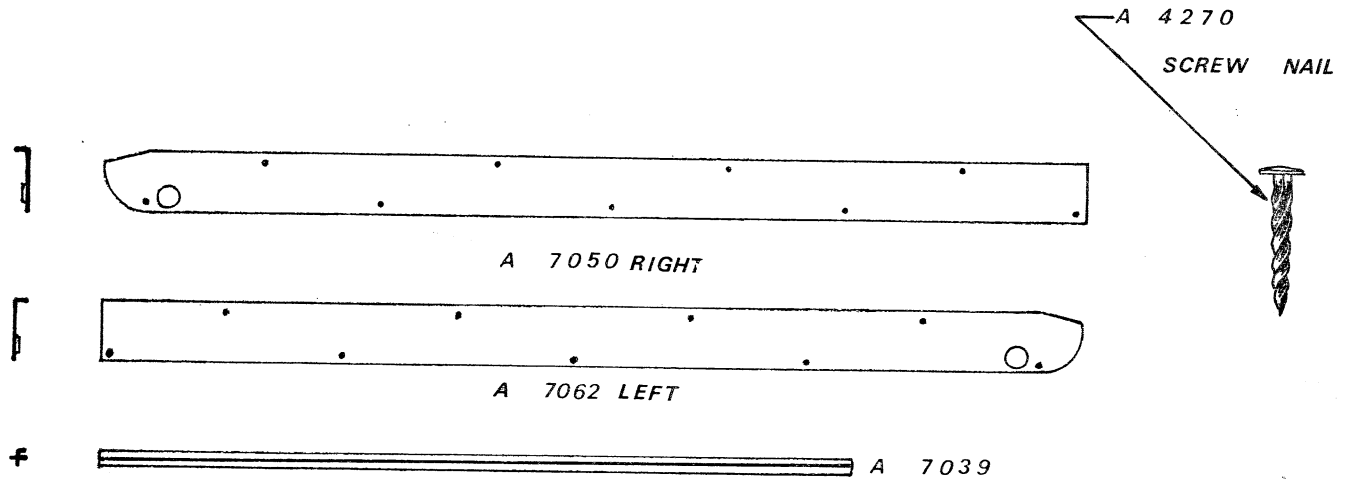


CASH TIN
A 7093



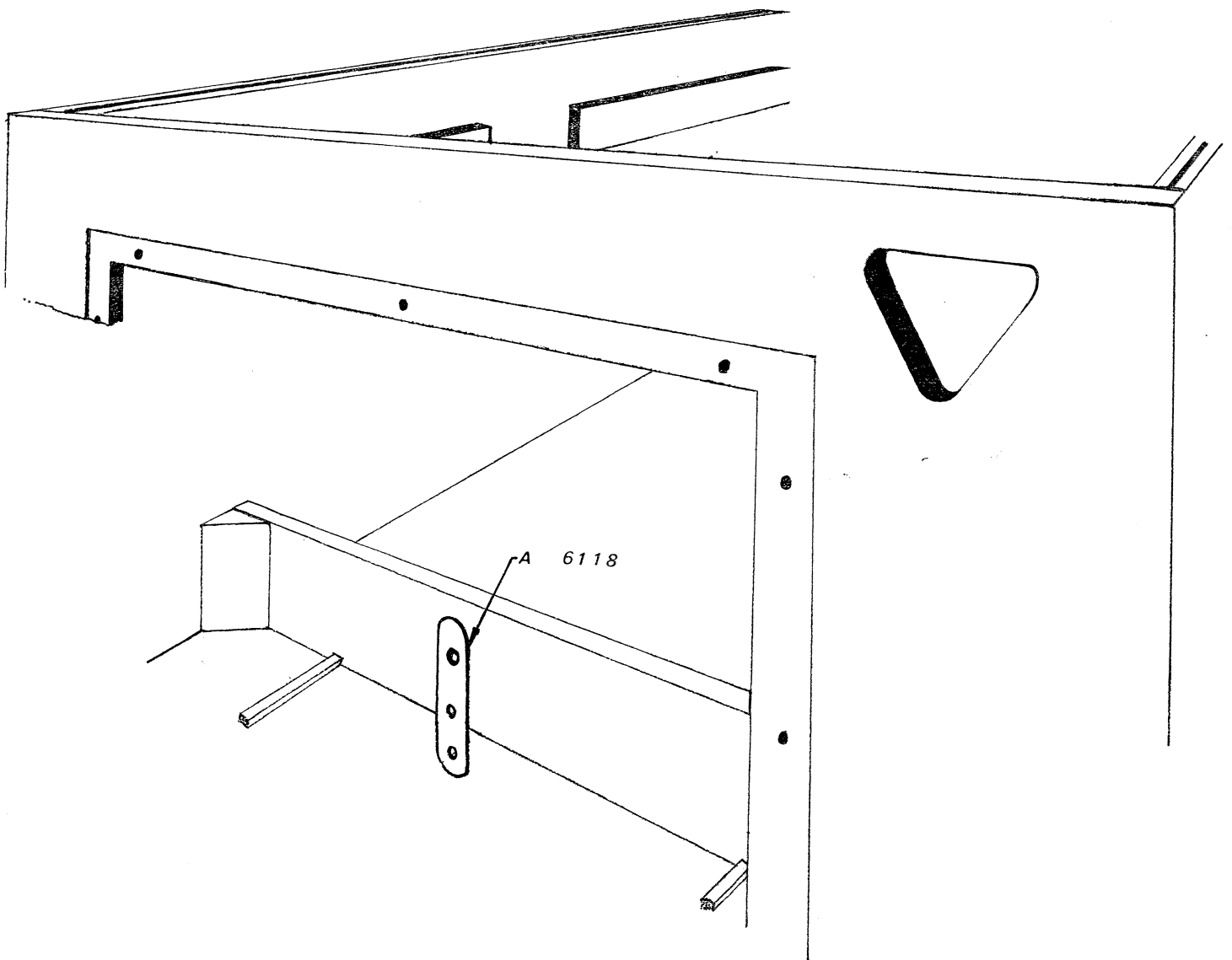
CASH TIN LID
B 7086

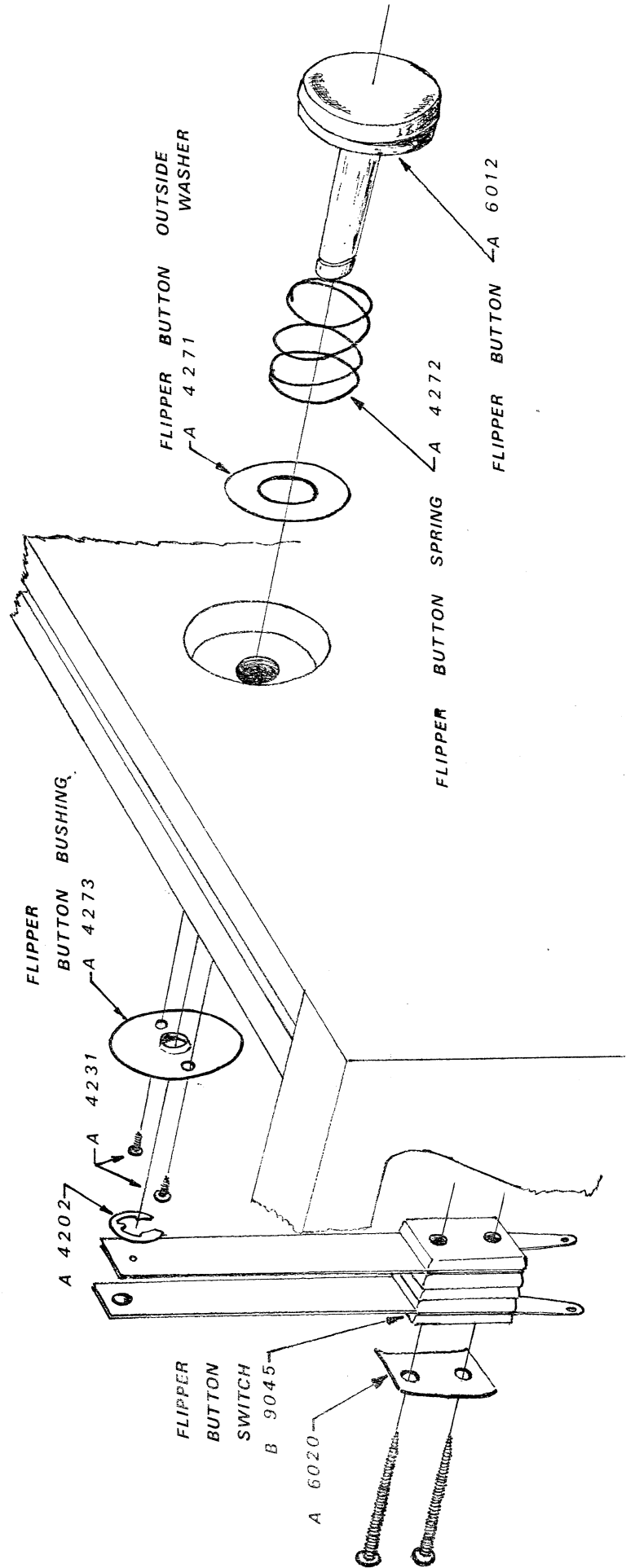
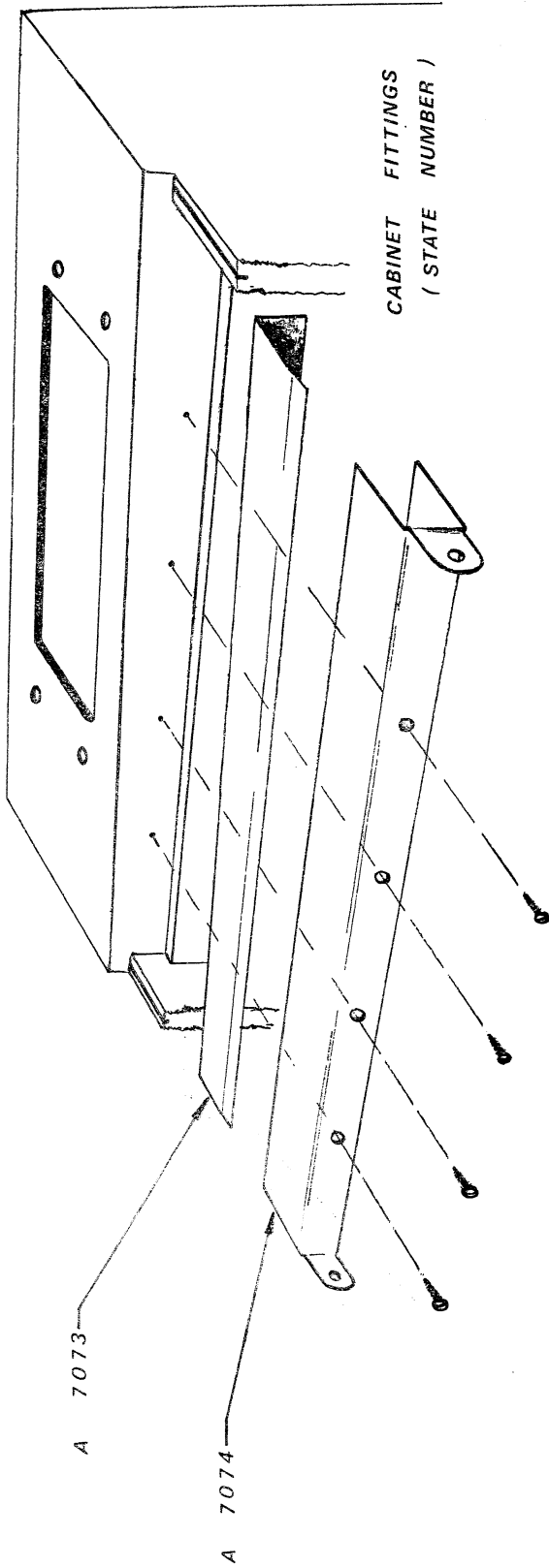


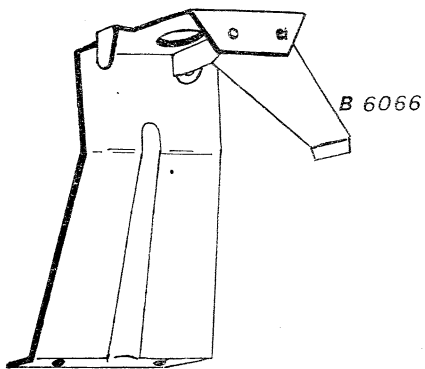


CABINET FITTING'S

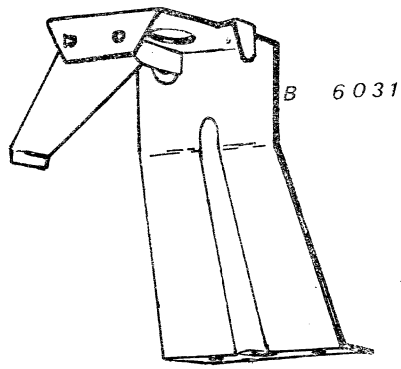
(STATE NUMBERS)



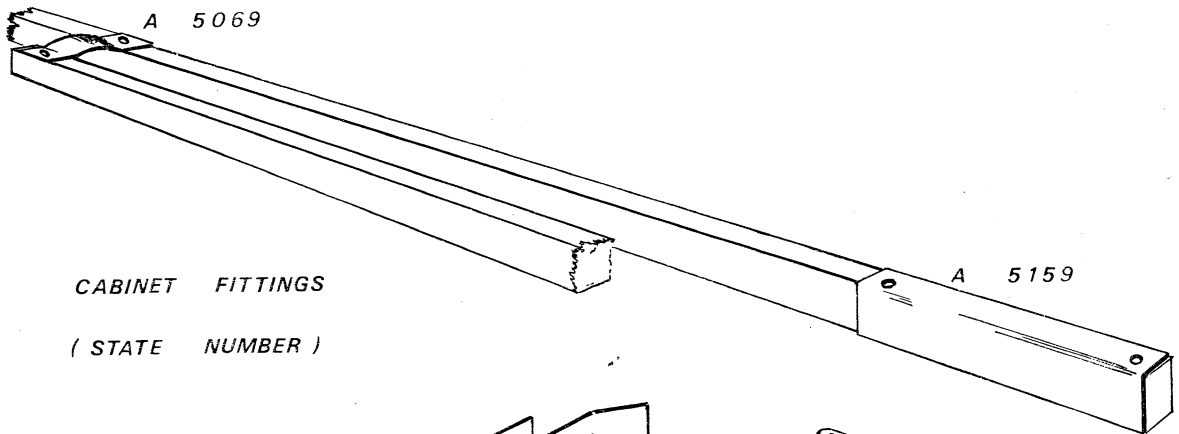
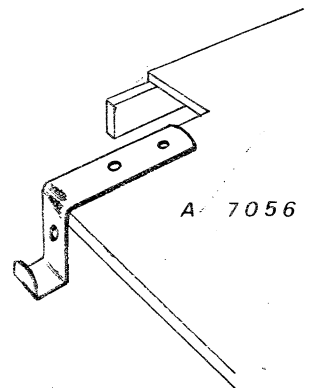




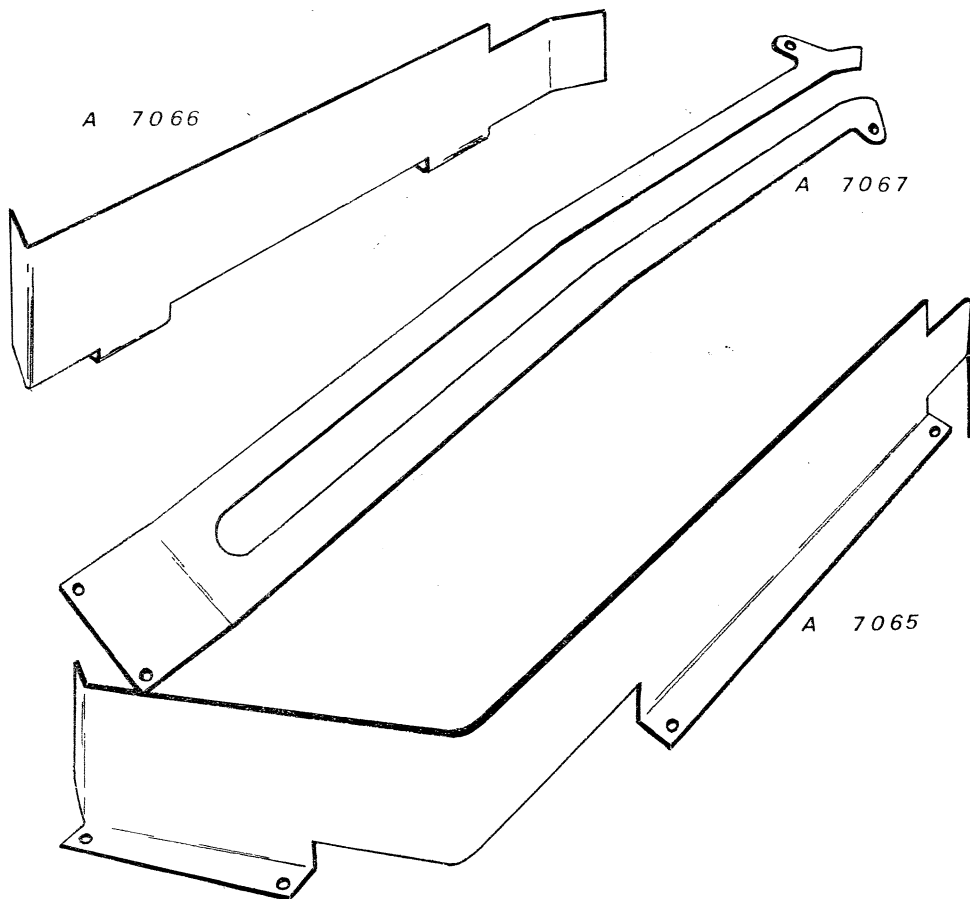
LEFT BALL GATE



RIGHT BALL GATE



CABINET FITTINGS
(STATE NUMBER)



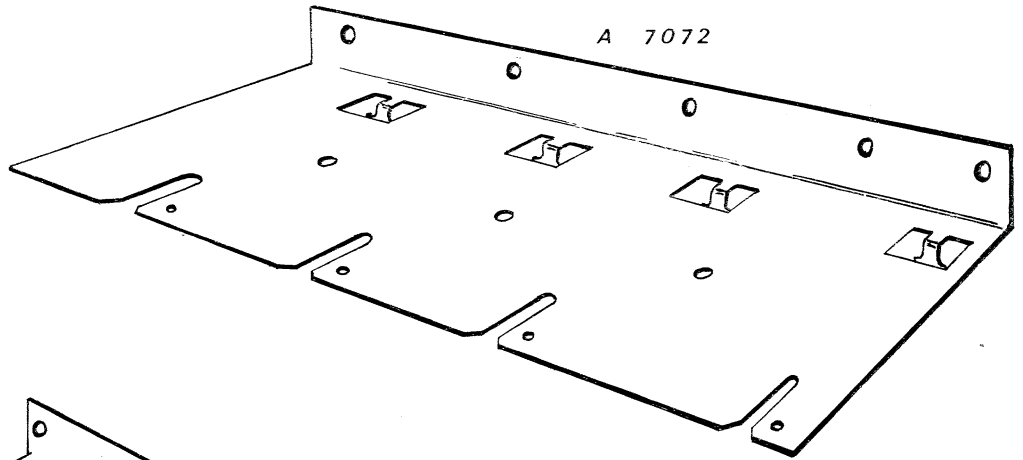
THUMB SCREW
FOR DRUM UNIT

A 4264



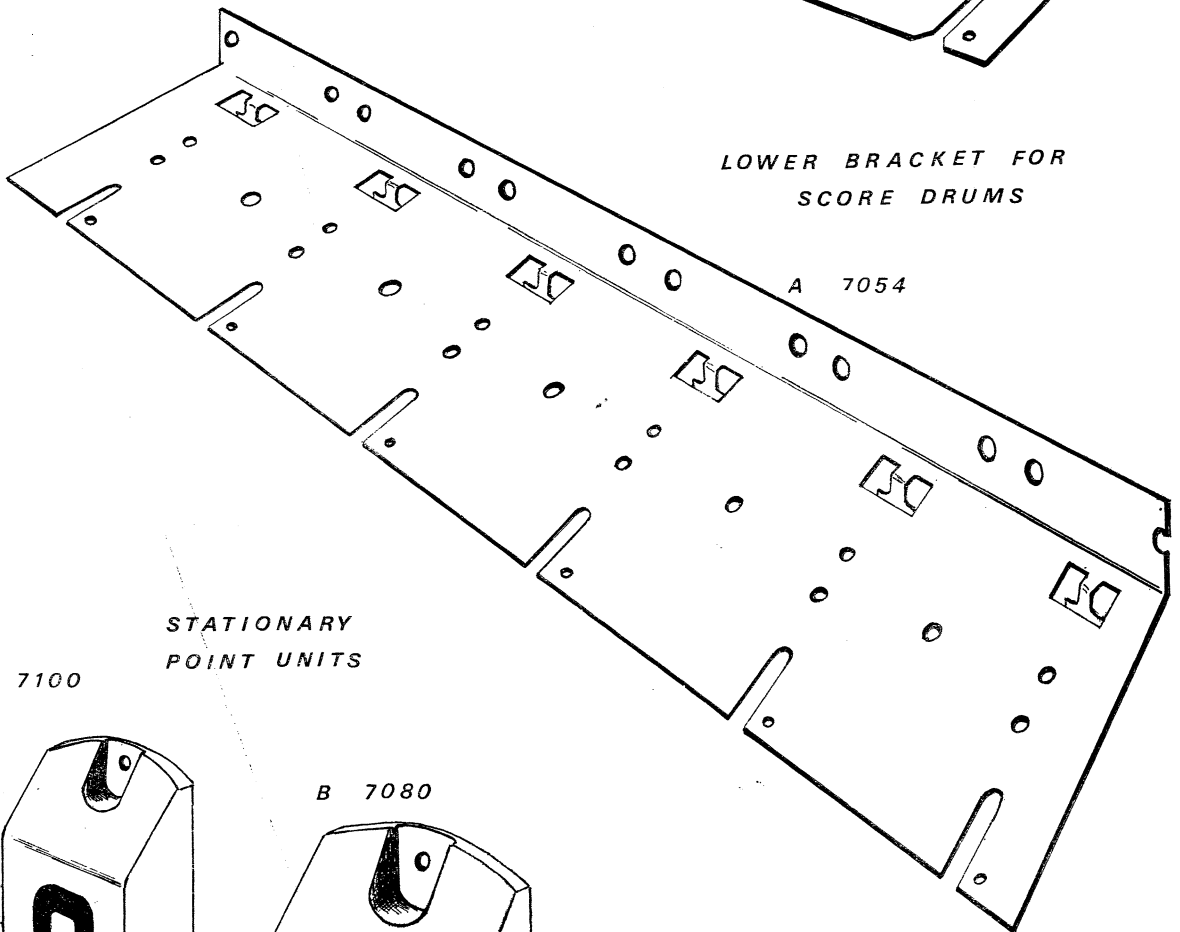
UPPER BRACKET
FOR SCORE
DRUMS

A 7072



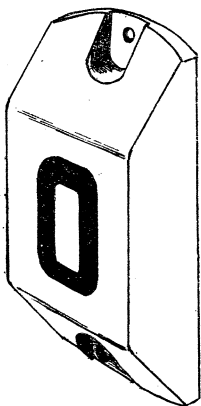
LOWER BRACKET FOR
SCORE DRUMS

A 7054

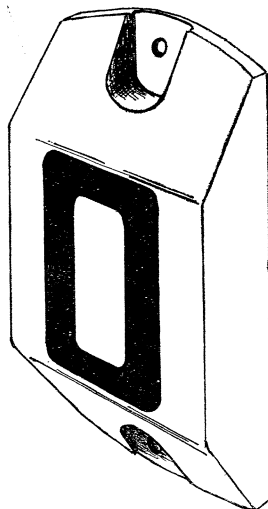


STATIONARY
POINT UNITS

B 7100



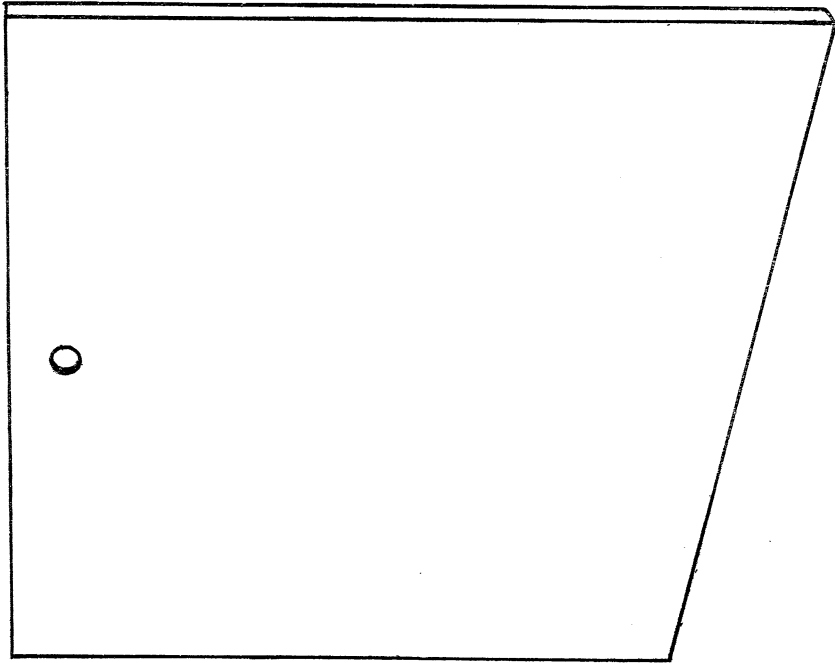
B 7080



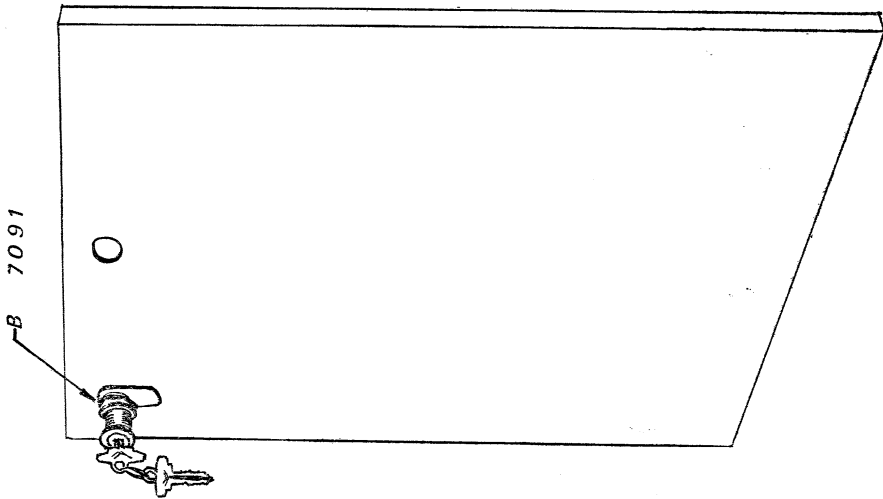
A 4233



CLIP FOR
DRUM
UNIT



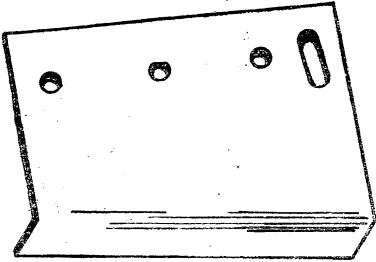
A 7111
REAR DOOR
4 PLAYER



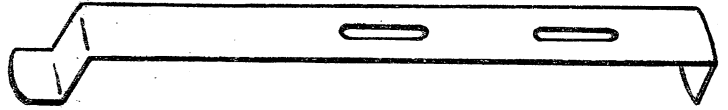
A 7094
REAR DOOR
2 PLAYER

CABINET FITTINGS

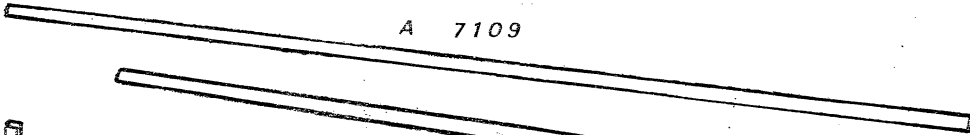
A 6080



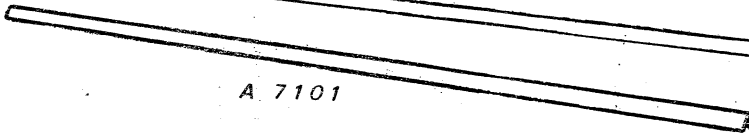
A 7075



A 7109



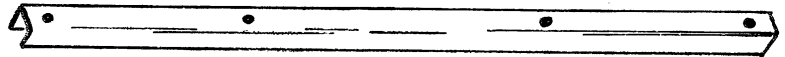
A 7101



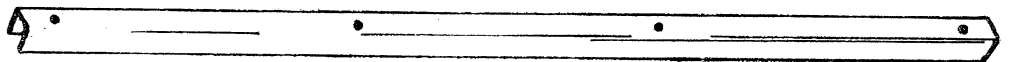
A 7102



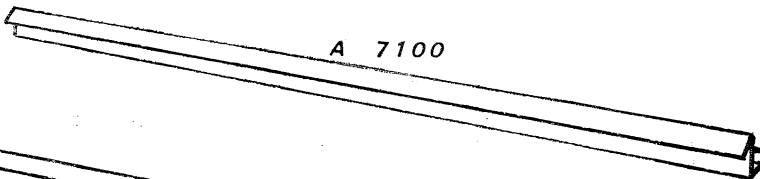
A 7076



A 7107



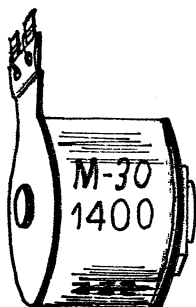
A 7100



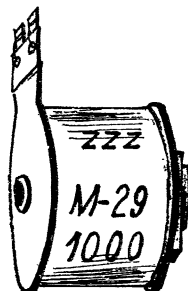
A 7108



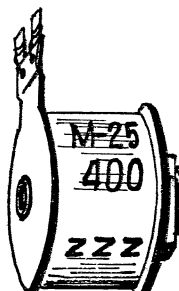
COILS



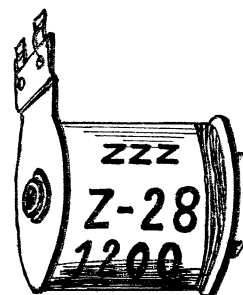
B 6049



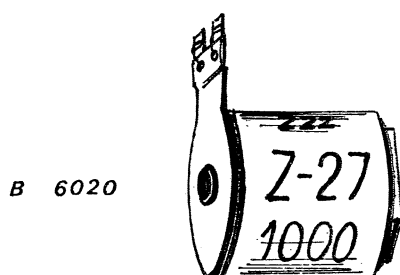
B 6021



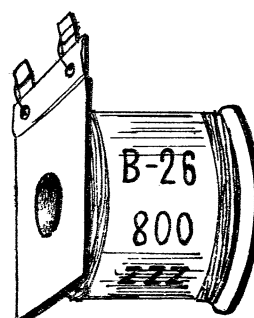
B 6051



B 6019

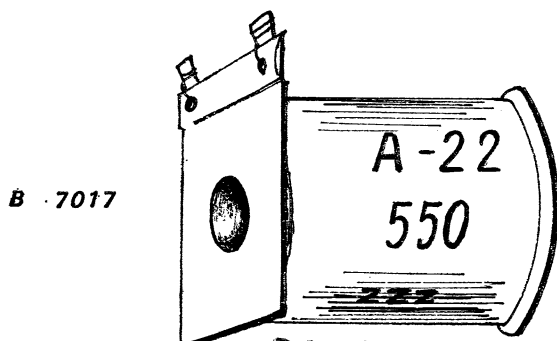


B 6020



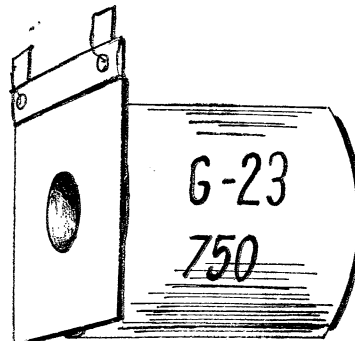
B 7019

RESET.
+ SCORE.



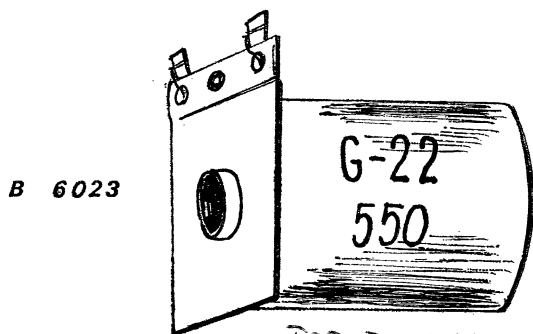
B 7017

DELIVERY UNIT.
+ STEP UP



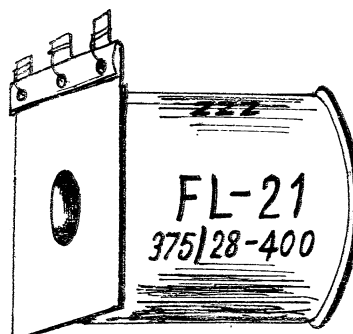
B 6026

KICKER.



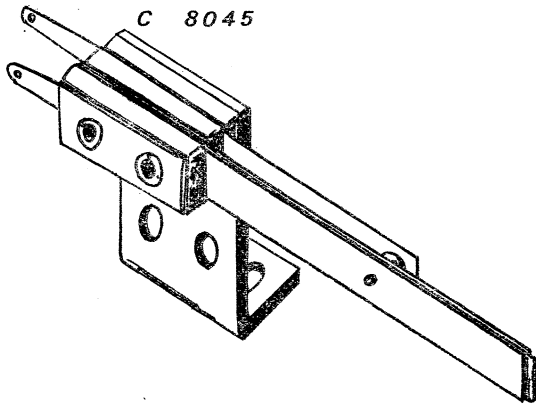
B 6023

POP BUMPER.

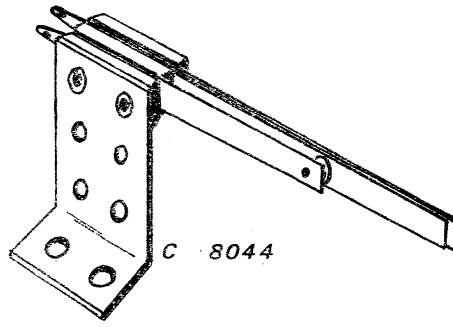


B 6025

FLIPPER.

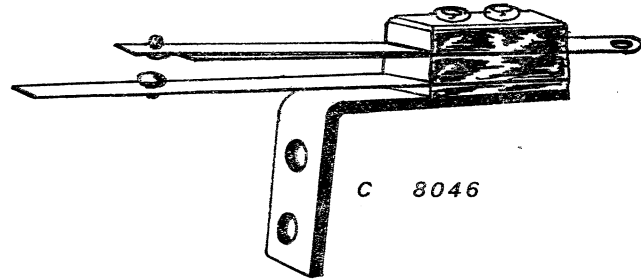


C 8045



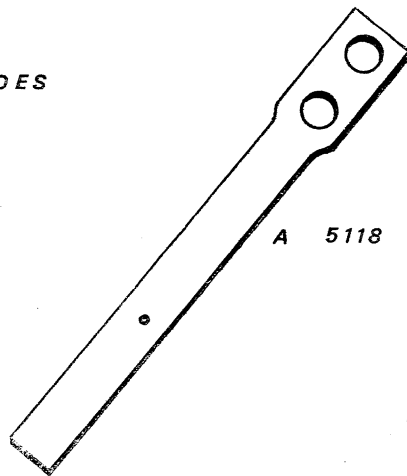
C 8044

CONTACT ASSEMBLIES COMPLETE

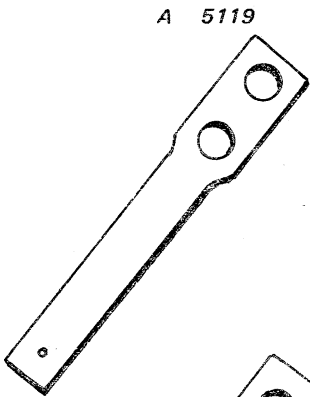


C 8046

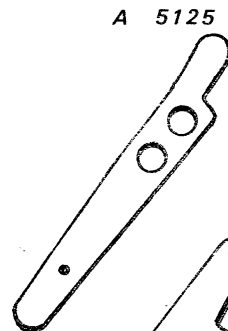
CONTACT BLADES



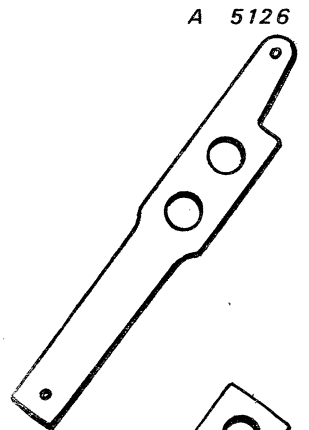
A 5118



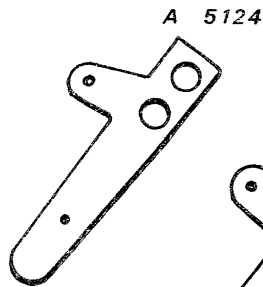
A 5119



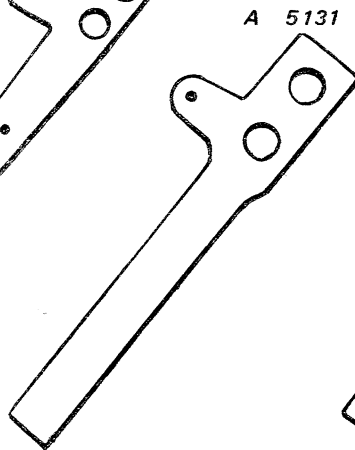
A 5125



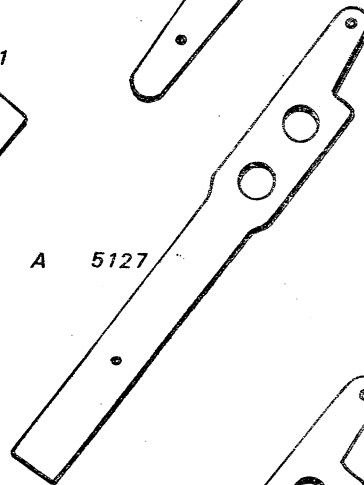
A 5126



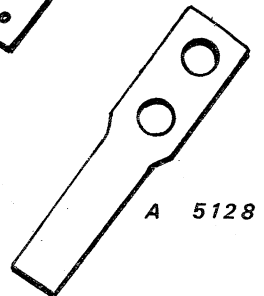
A 5124



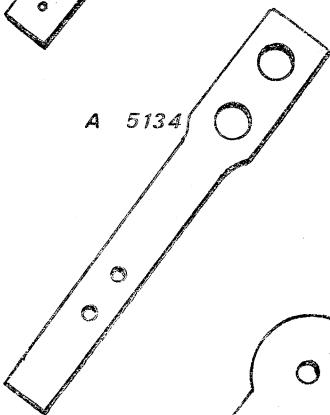
A 5131



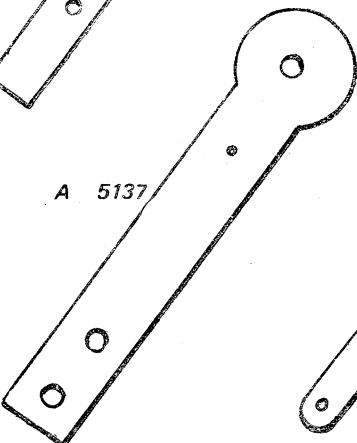
A 5127



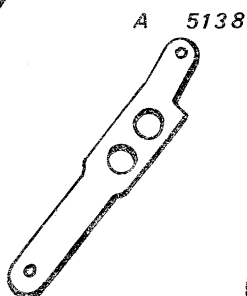
A 5128



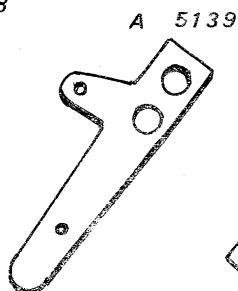
A 5134



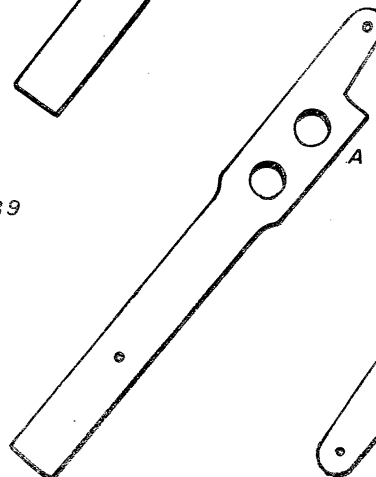
A 5137



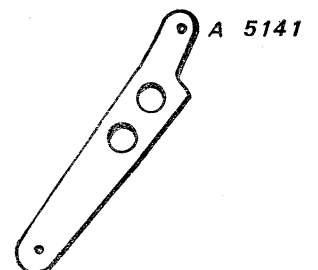
A 5138



A 5139



A 5140



A 5141

CONTACT
BLADES

